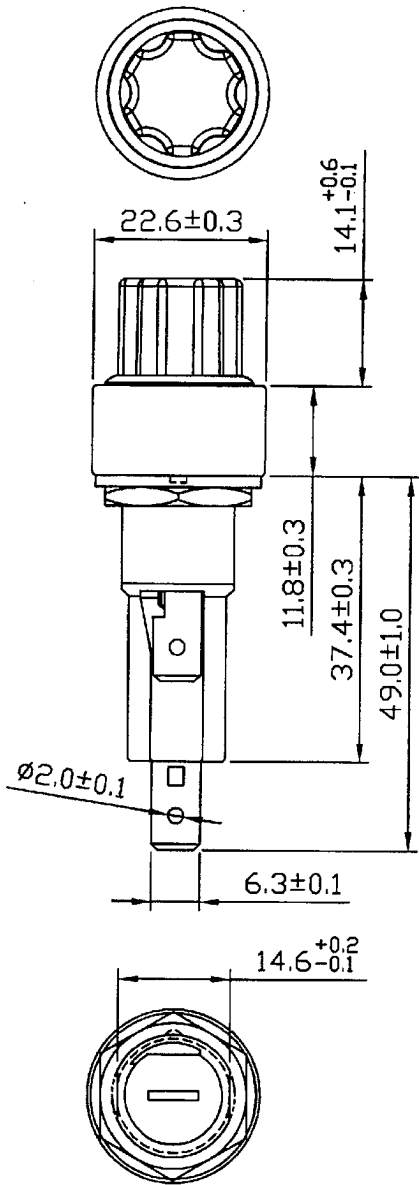
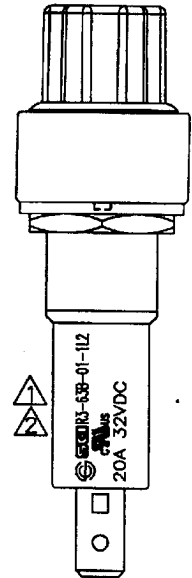
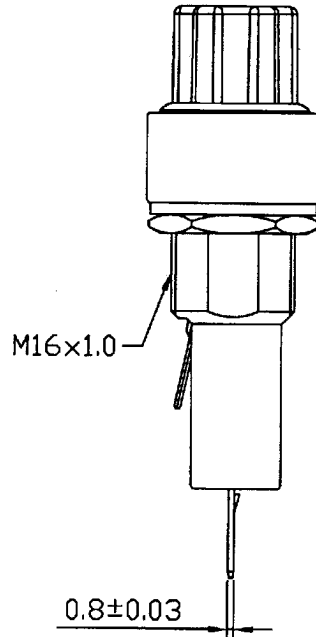


Rating	20A 32VDC		Mounting Hole	
Contact Resistance	20m ohms Max.			
Insulation Resistance	DC 500V 100M ohms Min.		Thickness=0.5~10.0mm	
Dielectric Strength	AC 1500V 1 minute			
Operation Temperature	0°~65°			
Fuse size	$\phi 6.35 \times 31.8$, $\phi 6.35 \times 30$			



***MATERIAL:**

- Frame: Black, Phenolic (94-V1)
- Cap: Water Clear, PC (94-V2)
- Terminals: Silver plated, Copper alloy
- Printed: None
- Waterproof: IP66



01/18/16	柳新強	UL規定產品上的型號須與UL報告上的產品型號一致，故變更印刷R3-63->R3-63B-01-1L2			△	
01/08/14	柳新強	依公司規定增加SCI logo, 依品管及上級通知要求統一R3系列保險絲規格, 保留原6.35*31.8mm, 取消6.3*30mm, 更改為6.35*30mm.			△	
Date	Name	Description			NO	
Drawn	Checked	Approved	SCI BOM No.	1310393	Model Name	FUSE HOLDER
柳新強			Customer No.		Model No.	R3-63B-01-1L2
01/18/16	1/27-16	1/27-16	Unit	mm	Shin Chin Industrial Co., Ltd.	
						Rev. 2