
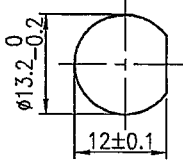
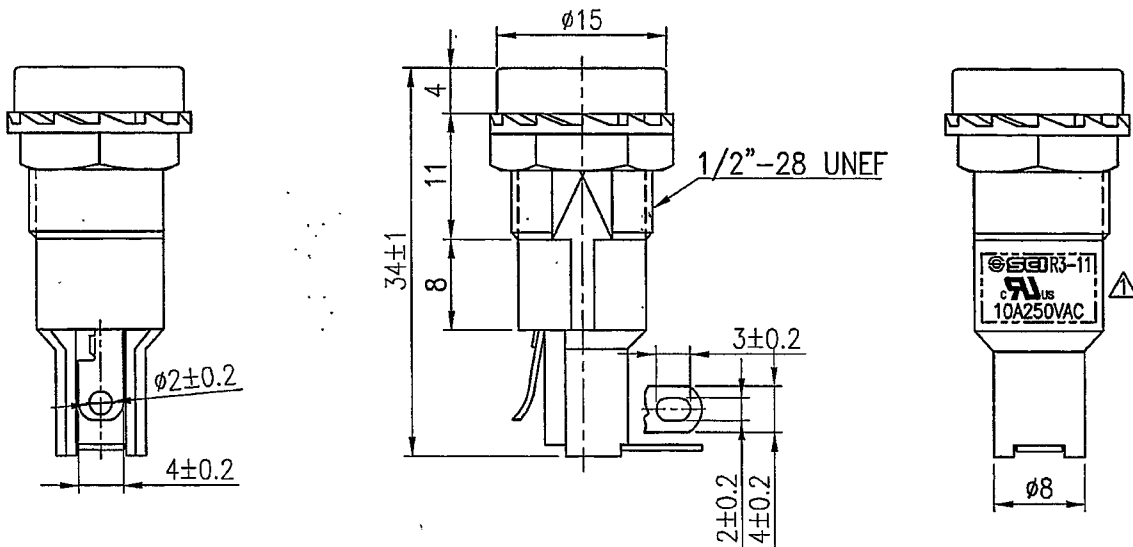
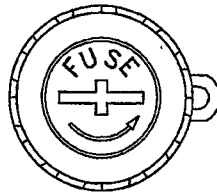


Rating	10A 250V AC 		Circuit Diagram
Contact Resistance	DC 500V 100M ohm Min.		Nil
Insulation Resistance	AC 1500V 1 minute		
Fuse Size	φ5x20mm		

*Screw type

Material:
 Frame : Black,PF
 Top cap : Black,PBT



Tolerances ±0.3 Unless Otherwise Specified

							△
10/17/16	柳新強	依品管通知，刪除CSA安規符號					△
Date	Name	Description					No.
Drawn	Checked	Approved	SCI BOM No.	1310021	Model Name	Fuse Holder	
柳新強			Customer No.		Model No.	R3-11B	Rev.
10/17/16		李元生	Unit	mm	 Shin Chin Industrial Co., Ltd.		1