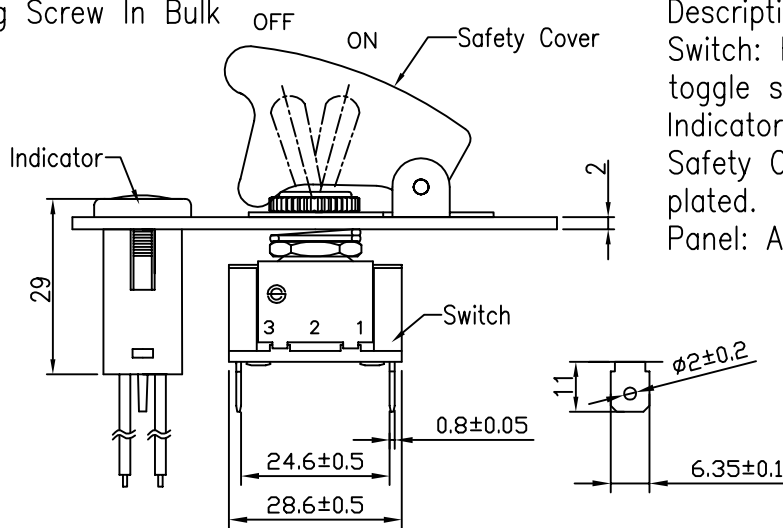
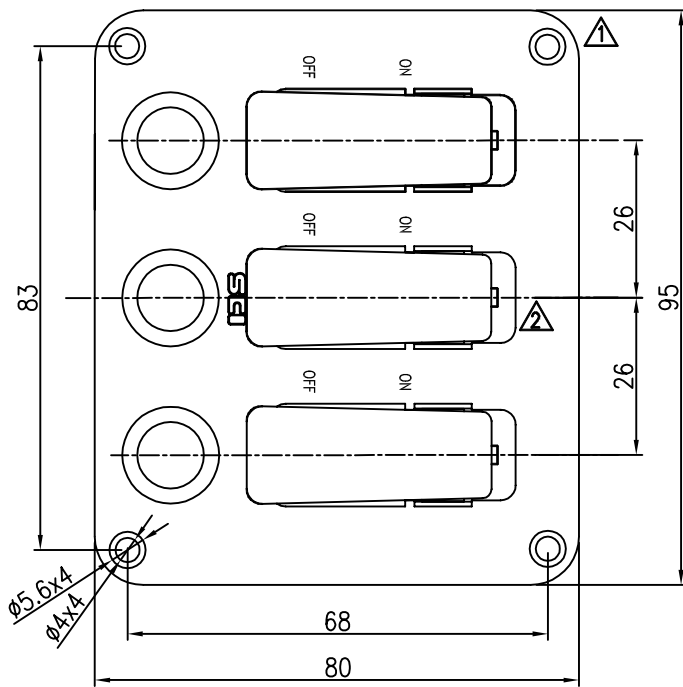


Rating	20A 12VDC, 10A 24VDC		
Contact Resistance	50m ohm Max		
Insulation Resistance	DC 500V 100M ohm Min		
Dielectric Strength	AC 1500V 1minute		
Operation Temperature			
Switch Function	2P ON-OFF		

4Pcs Tapping Screw In Bulk



Descriptions:  
 Switch: R13-5, 2P SPST ON-OFF toggle switch.  
 Indicator: R9-100L, Red LED.  
 Safety Cover: R17-10, Bright red plated.  
 Panel: Aluminum, Hair-line finished.



C8\R18\R18-P3A-5R17100L-N\外觀圖\_2

11/14/'07	陳國鋼	圖面與實物不符依實物修改圖面							
11/01/'06	張志豪	螺絲裝配孔由直孔改為埋頭孔							
Date	Name	Descriptions							NO
Drawing	Check	Approval	SCI No.		Model Name	Panel switch modual			
陳國鋼	李元生	李景煌	Customer No.		Model No.	R18-P3A-5R17100L-N	REV.	02	
11/14/'07	11/16/'07	11/21/'07	Unit	mm	SHIN CHIN INDUSTRIAL CO., LTD.				