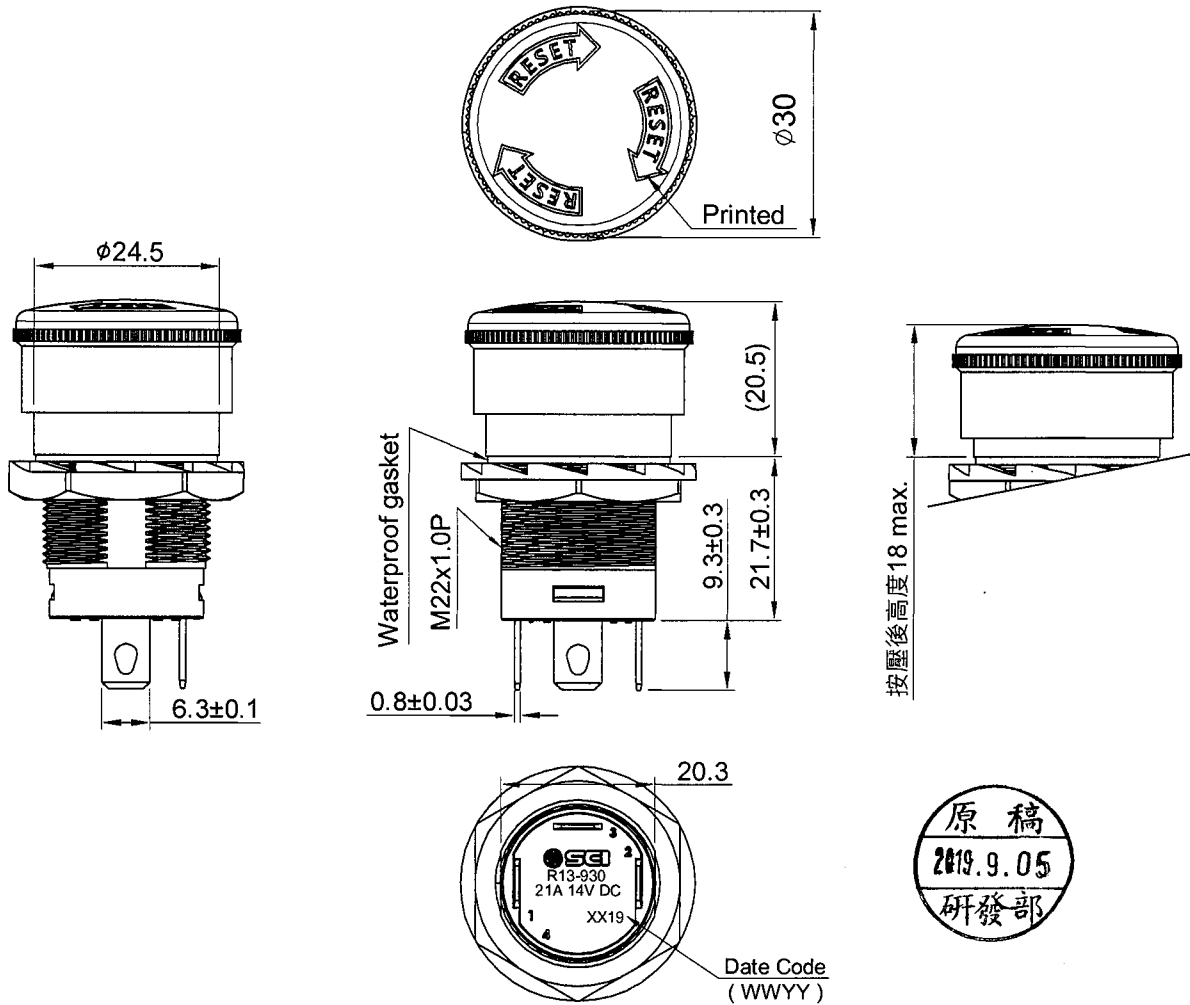


Rating	21A 14V DC		
Contact Resistance	50m ohm Max.		
Insulation Resistance	DC 500V 100M ohm Min.		
Dielectric Strength	AC 1500V 1 minute		
Operation Temperature	-20°C~85°C		
Switch Function	3P SPST-NC		

**\*Material:**

1. Frame: Nylon-66 (94V-2).
2. Pushbutton: PC, transparent red.
3. Bottom: Nylon-66 (94V-2).
4. Terminal: Silver plated copper.
5. Waterproof gasket : Epdm.

\*Sealed: IP56 when supplied with panel seal.



Tolerance: ±0.3mm unless otherwise specified.

Date		Name		Description			No.	
Drawn	Checked	Approved	SCI BOM No.	1910103	Model Name	Emergency Stop Switch		
Jam Chan	<i>[Signature]</i>	<i>[Signature]</i>	Customer No.		Model No.	R13-930LS-01-BRR-1	Rev.	
11/22/18	<i>[Signature]</i>	<i>[Signature]</i>	Unit	mm	Shin Chin Industrial Co., Ltd.			0