
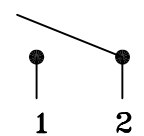
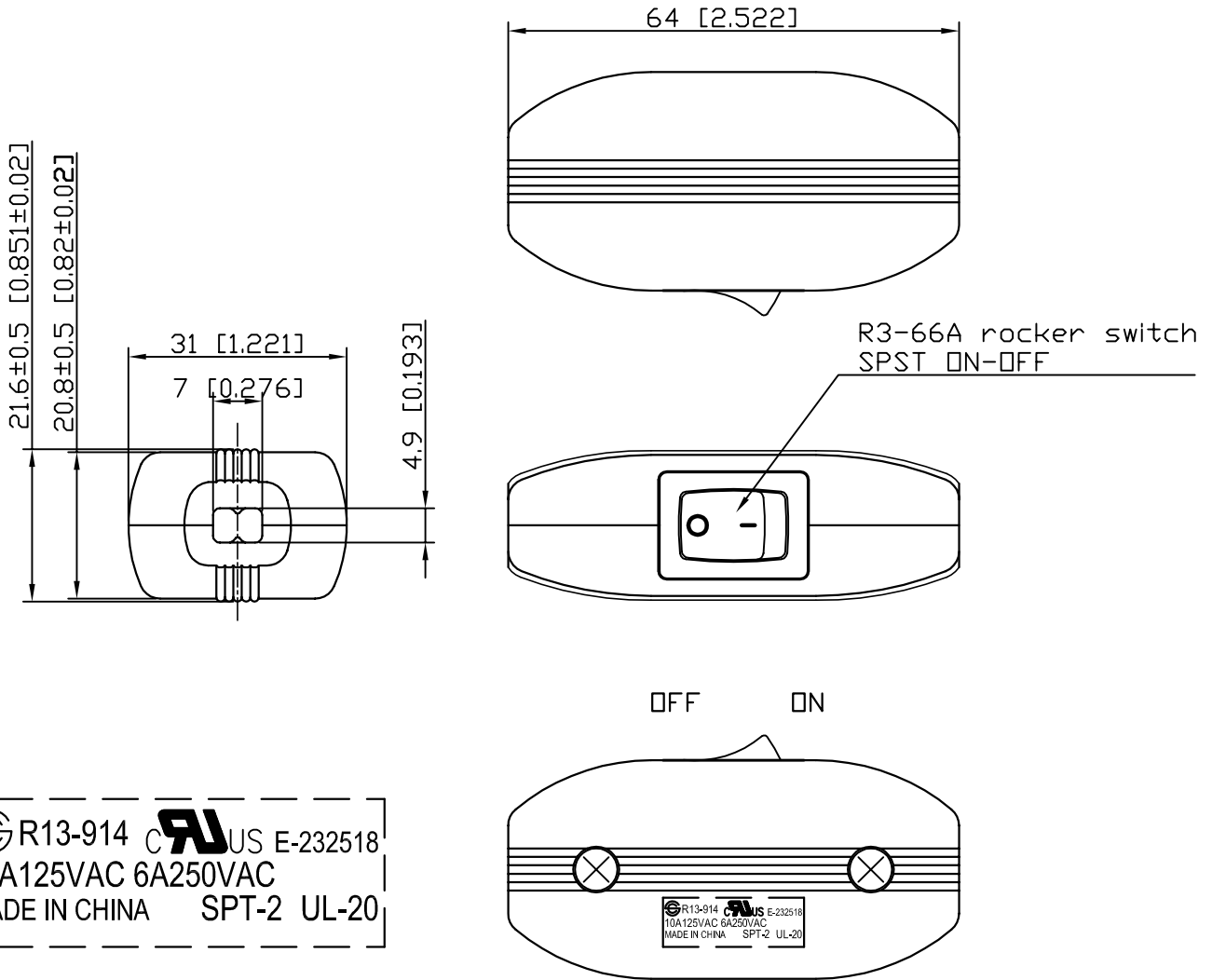


| | | |
|---------------------|--|---|
| Rating | 10A125VAC 6A250VAC T85 UL-20  US |  <p>SPST 2P ON-OFF</p> |
| Contact R | 50m ohm Max. | |
| Insulation R | DC 500V 100M ohm Min. | |
| Dielectric Strength | AC 1500V 1 minute | |
| Operation temp | -20°C ~ 85°C | |


Material of case are nylon-66.
Switch operation force: 450g±150g



 R13-914  US E-232518
 10A125VAC 6A250VAC
 MADE IN CHINA SPT-2 UL-20

Tolerance ±0.3 except noticed

C8\R13\R13-914

| | | | | | | | |
|----------------|--------------|---------------------|---------------------|---------|--|---------------------|-----------|
| | | | | | | | △ |
| | | | | | | | △ |
| Date | Name | Descriptions | | | | | NO |
| Drawing | Check | Approval | SCI No. | 1910024 | Model Name | Through Cord Switch | |
| 曹盈芳 | | 李景煌 | Customer No. | | Model No. | R13-914 | |
| 02/17/'04 | | 02/17/'04 | Unit | mm |  SHIN CHIN INDUSTRIAL CO., LTD. | | |