

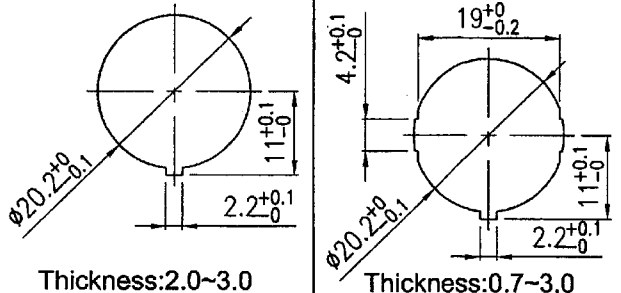
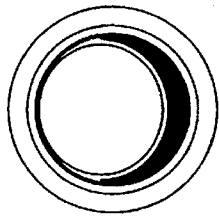
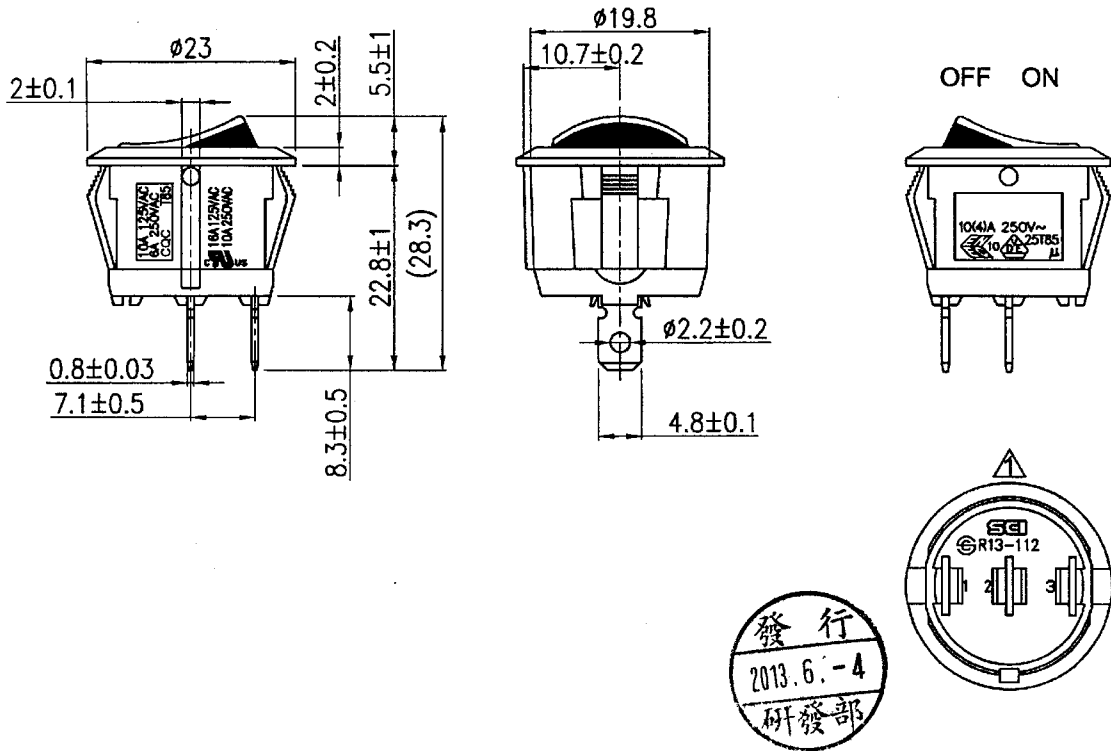
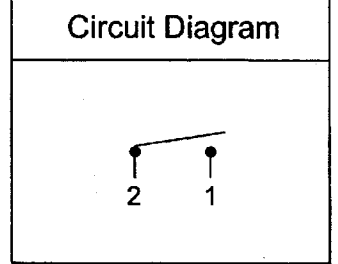



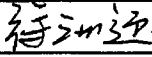
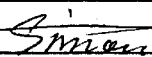

Rating	16A 125VAC, 10A 250VAC 	Mounting Hole
	10A 125VAC, 6A 250VAC CQC	
	10(4)A 250V~ 25T85 	
Contact Resistance	50m ohm Max.	
Insulation Resistance	DC 500V 100M ohm Min.	
Dielectric Strength	AC 1500V 1 minute	
Operation Temperature	-25°C~85°C	
Switch Function	2P SPST ON-OFF	



Material:  
 Frame: Black, Nylon 66  
 Actuator: Black/Red, Nylon 66  
 Terminals: Copper Alloy



1、Tolerances Unless Otherwise Specified ±0.3

5/9/13	周傑輝	增加SCI 刻字			
Date	Name	Description			No.
Drawn	Checked	Approved	SCI BOM No	1821071	Model Name
周傑輝			Customer No		ROCKER SWITCH
5/9/13	5/11-13	5/11-13	Unit	mm	Model No. R13-112A2-02
					Rev. 1
 Shin Chin Industrial Co., Ltd.					