

SPECIFICATIONS

CONTACT RATING: 6A @125 VAC or 28 VDC (Q terminal)
 ELECTRICAL LIFE:50,000 make-and-break cycles at full load
 CONTACT RESISTANCE: 10 mΩ max. initial @2-4 VDC,100 mA
 INSULATION RESISTANCE: 1,000 MΩ min.
 DIELECTRIC STRENGTH: 1,500 V RMS @ sea level.
 OPERATING TEMPERATURE: -30°C to +85°C

MATERIALS

CASE -Glass filled nylon 6/6 or nylon 4/6 (UL94V-0)
 ACTUATOR - Copper alloy , chrome plated with internal o-ring standard
 SWITCH SUPPORT - Copper alloy or steel, tin plated
 CONTACT AND TERMINAL- Copper alloy , silver plated
 TERMINAL SEAL: Epoxy

IP67 protection degree

How do you build the switches you need!!

The straight type , please see the (A) ;

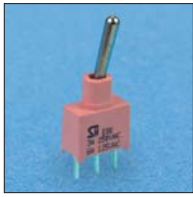
The right angle P.C terminals, please see the (B)

(A) **NE8013** - **S** **E** **C** **Q** - **S20** - **T1** - **2** - -

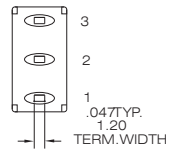
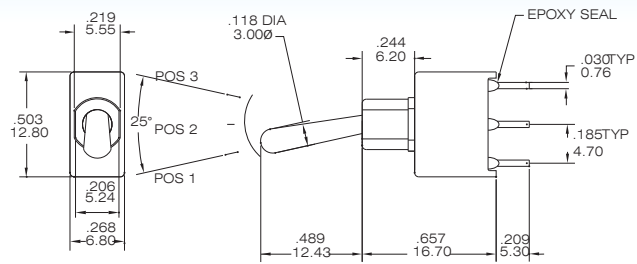
Switch Function		Actuator		Bushing		Contact Material		Actuator Cap		O Ring	
NE8013	SP on-none-on	S	12.43	N	(std.) non-thd. 6.15	Q	silver plated	(none)			(none)
NE8013A	SP on-none-(on)	T	7.30	E	thd. 8.89	R	gold plated	T1	10.58 (for actuator S)	E6	for inch thd
NE8014	SP on-off-on	Esd protection actuator		Termination		G	gold over silver	T2	7.56 (for actuator T)	RoHS code	
NE8014A	SP (on)-off-(on)	P1	(black) 12.43	B	solder lug	K	tin plated	Cap color		H = RoHS Compliant	
NE8014B	SP on-off-(on)	P11	(white) 12.43	C	P.C 1.27width	Vertical support Bracket		0	transparent		
NE8011	DP on-none-on	P19	(silver) 12.43	D	Quick connect	(none)		1	white		
NE8011A	DP on-none-(on)	P2	(black) 7.30	D1	wire wrap	S20	11.68	2	black		
NE8012	DP on-off-on	P21	(white) 7.30	D3	wire wrap	S25	16.00	3	red		
NE8012A	DP (on)-off-(on)	P29	(silver) 7.30			S35	11.68	4	orange		
NE8012B	DP on-off-(on)					S40	16.00	5	yellow		
3 way position switches						V20	snap-in 11.68	6	green		
NE812	DP on-on-on					V25	snap-in 16.00	7	blue		
						V35	snap-in 11.68				
						V40	snap-in 16.00				

(B) **NE8019L** - **T** **N** **Q** - **T2** - **2** -

Horizon Right Angle	Vertical Right Angle	Switches Function	Actuator		Bushing		Cap color		RoHS code		
NE8019	NE8019L	SP on-none-on	S	12.43	N	(std) non-thd 6.15	0	transparent	H = RoHS Compliant		
NE8019A	NE8019LA	SP on-none-(on)	T	7.30	Contact Material		1	white			
NE8020	NE8020L	SP on-off-on	Esd protection actuator		Q	silver plated	2	black			
NE8020A	NE8020LA	SP (on)-off-(on)	P1	(black) 12.43	R	gold plated	3	red			
NE8020B	NE8020LB	SP on-off-(on)	P11	(white) 12.43	G	gold over silver	4	orange			
NE8021	NE8021L	DP on-none-on	P19	(silver) 12.43	K	tin plated	5	yellow			
NE8021A	NE8021LA	DP on-none-(on)	P2	(black) 7.30	Actuator Cap		6	green			
NE8022	NE8022L	DP on-off-on	P21	(white) 7.30	(none)		7	blue			
NE8022A	NE8022LA	DP (on)-off-(on)	P29	(silver) 7.30	T1	10.58 (actuator S)					
NE8022B	NE8022LB	DP on-off-(on)			T2	7.56 (actuator T)					
3 way position switches											
NE822	NE822L	DP on-on-on									

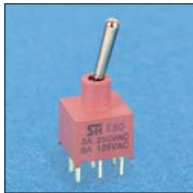


Model No.	Switching position		
NE8013	ON	none	ON
NE8013A	ON	none	(ON)
NE8014	ON	OFF	ON
NE8014A	(ON)	OFF	(ON)
NE8014B	ON	OFF	(ON)
Term. Comm.	2-3	open	2-1

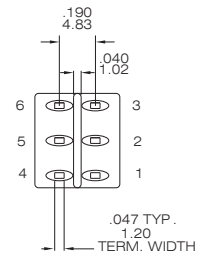
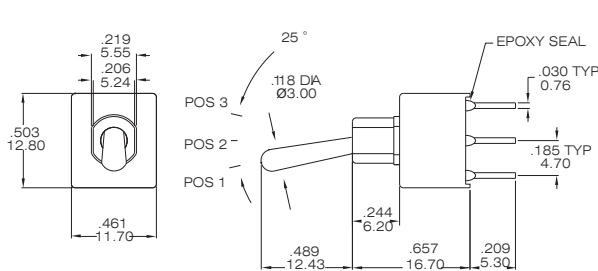


Terminal Nos.
For Reference Only

NE8013 - SNCQ



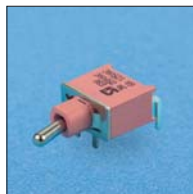
Model No.	Switching position		
NE8011	ON	none	ON
NE8011A	ON	none	(ON)
NE8012	ON	OFF	ON
NE8012A	(ON)	OFF	(ON)
NE8012B	ON	OFF	(ON)
Term. Comm.	2-3,5-6	open	2-1,5-4
3 way switches			
NE812	ON	ON	ON
Term. Comm.	2-3,5-6	2-3,5-4	2-1,5-4



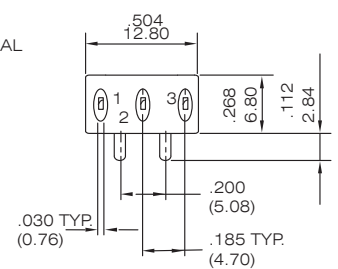
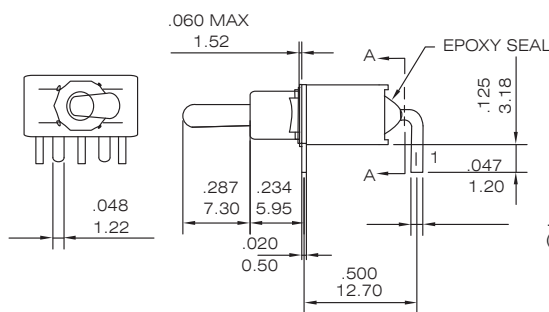
Terminal Nos.
For Reference Only

NE8011 - SNCQ

Please see page A08 to know more about NE812
(3-way Switches)



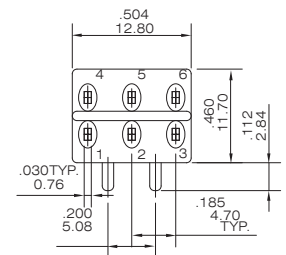
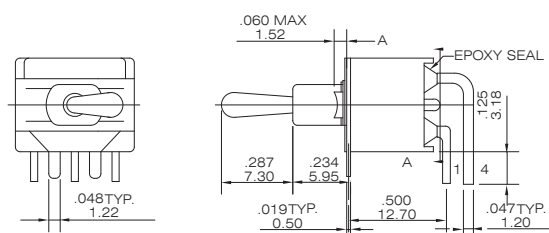
Model No.	Switching position		
NE8019	ON	none	ON
NE8019A	ON	none	(ON)
NE8020	ON	OFF	ON
NE8020A	(ON)	OFF	(ON)
NE8020B	ON	OFF	(ON)
Term. Comm.	2-3	open	2-1



NE8019 - TNQ

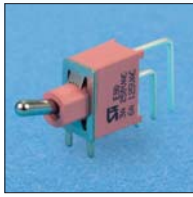


Model No.	Switching position		
NE8021	ON	none	ON
NE8021A	ON	none	(ON)
NE8022	ON	OFF	ON
NE8022A	(ON)	OFF	(ON)
NE8022B	ON	OFF	(ON)
Term. Comm.	2-3,5-6	open	2-1,5-4
3 way switches			
NE822	ON	ON	ON
Term. Comm.	2-3,5-6	2-3,5-4	2-1,5-4

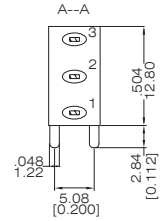
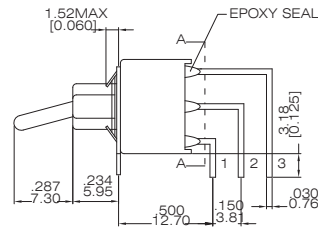
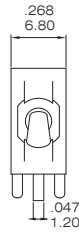


NE8021 - TNQ

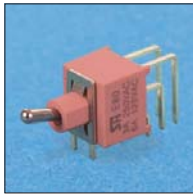
Please see page A08 to know more about NE822
(3-way Switches)



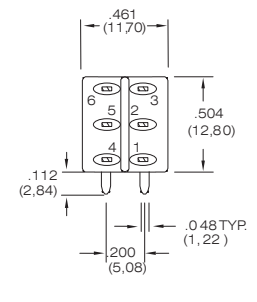
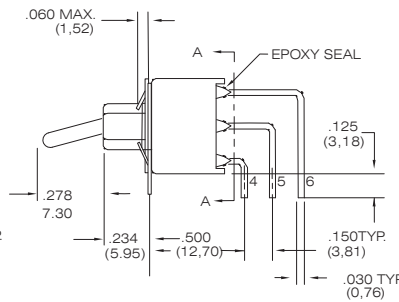
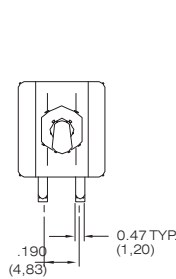
Model No.	Switching position		
NE8019L	ON	none	ON
NE8019LA	ON	none	(ON)
NE8020L	ON	OFF	ON
NE8020LA	(ON)	OFF	(ON)
NE8020LB	ON	OFF	(ON)
Term. Comm.	2-3	open	2-1



NE8019L - TNQ



Model No.	Switching position		
NE8021L	ON	none	ON
NE8021LA	ON	none	(ON)
NE8022L	ON	OFF	ON
NE8022LA	(ON)	OFF	(ON)
NE8022LB	ON	OFF	(ON)
Term. Comm.	2-3,5-6	open	2-1,5-4
3 way switches			
NE822L	ON	ON	ON
Term. Comm.	2-3,5-6	2-3,5-4	2-1,5-4

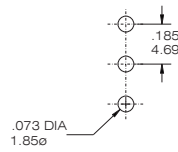


NE8021L - TNQ

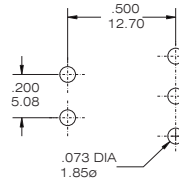
Please see page A08 to know more about NE822L (3-way Switches)

P.C.B MOUNTING DIMENSIONS

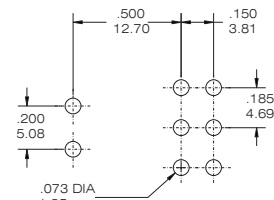
NE8013-NE8014B



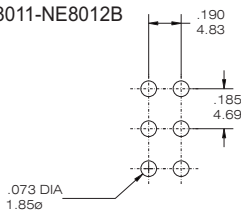
NE8019-NE8020B



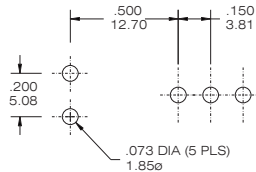
NE8021-NE8022B



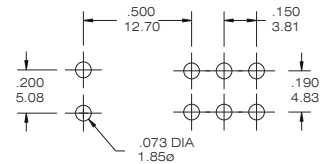
NE8011-NE8012B



NE8019L-NE8020LB

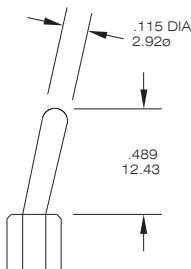


NE8021L-NE8022LB

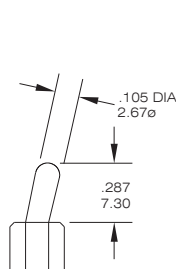


Actuator Option

S (STD)

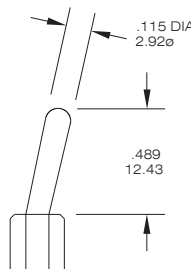


T (STD)

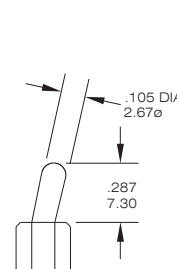


PLASTIC TOGGLE

P1



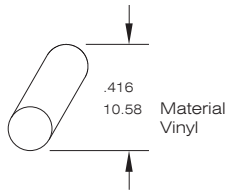
P2



code	description
P1/P2	black(std.)
P11/P21	white
P19/P29	silver

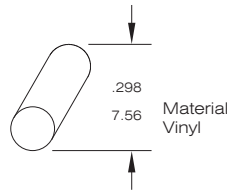
Toggle Cap Option

T1



For actuator "S" only

T2

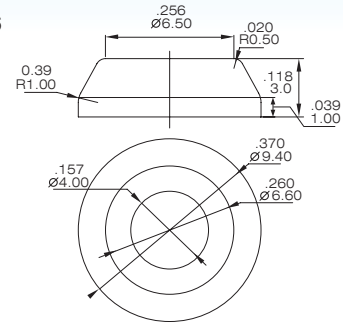


For actuator "T"

code	color
0	transparent
1	white
2	black
3	red
4	orange
5	yellow
6	green
7	blue

O Ring

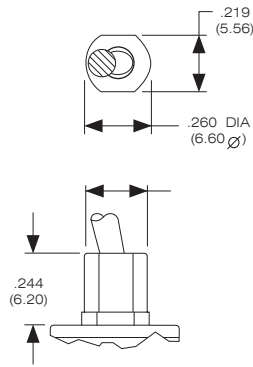
E6



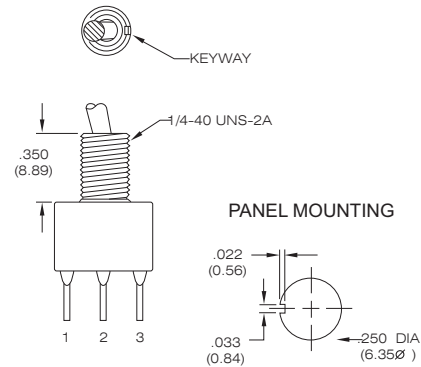
For "E" bushing

Bushing Option

N (std)

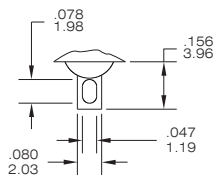


E



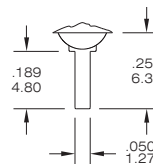
TERMINAL OPTION

B SOLDER LUG



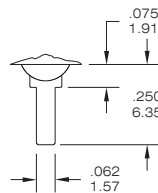
THK 0.76 (.030)

C PRINTED CIRCUIT



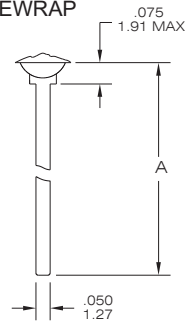
THK 0.76 (.030)

D QUICK CONNECT



THK 0.76 (.030)

WIREWRAP



THK 0.76 (.030)

CODE	"A" dimension
D1	.750 (19.05)
D3	.425 (10.8)

CONTACT MATERIAL OPTIONS

CODE	CONTACT MATERIAL	TERMINAL MATERIAL	RATING
Q	Silver plated	Silver plated	6 A @ 125V AC or 28 V DC; 3 A @ 250 VAC
R	Gold plated over nickel plated	Gold plated over nickel plated	0.4VA MAX @ 20 V AC or DC MAX
G	Gold plated over silver plated	Gold plated over silver plated	0.4 VA MAX @ 20 V AC or DC MAX or 6 A @ 125V AC or 28 V DC; 3 A @ 250 VAC
K	Gold plated over nickel plated	Tin over nickel plated	0.4VA MAX @ 20 V AC or DC MAX

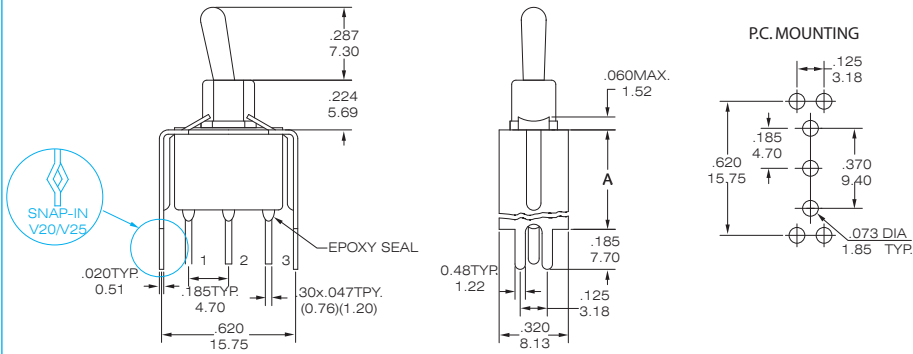
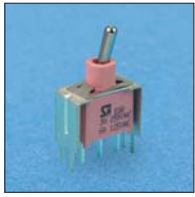
* THE K option is only for some special item. Please inquire first when you need the "K" option



VERTICAL SUPPORT BRACKET OPTION

(only apply the straight type terminal -page A04. Please build the terminal option is "c" code)

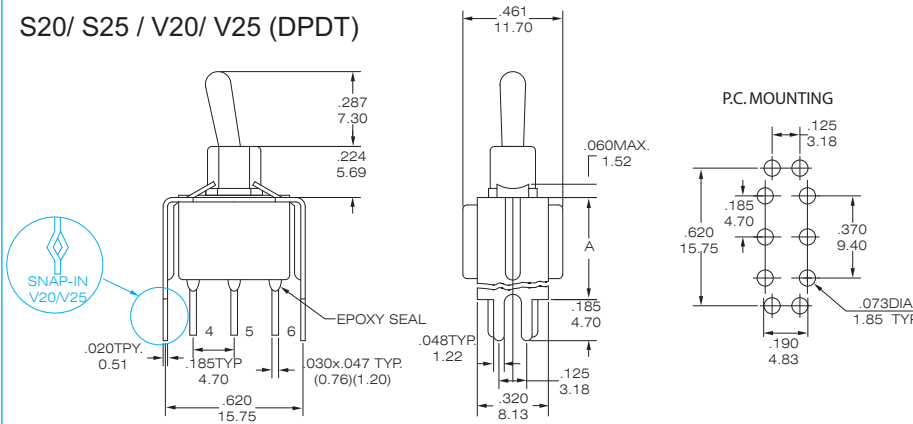
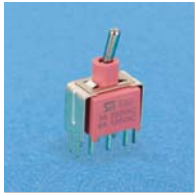
S20/ S25 / V20/ V25 (SPDT)



NE8013 - TNCQ-S20(S25)

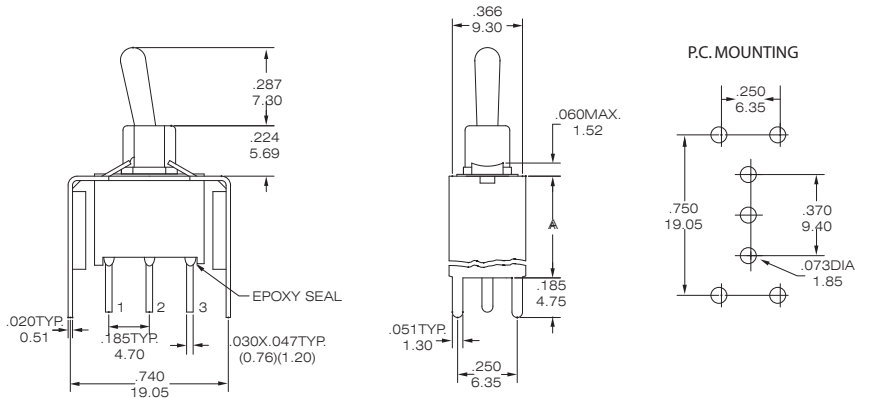
option Code	A dimension
S20/V20	.460 11.68
S25/V25	.630 16.00
V20/V25 : the snap-in type	

S20/ S25 / V20/ V25 (DPDT)



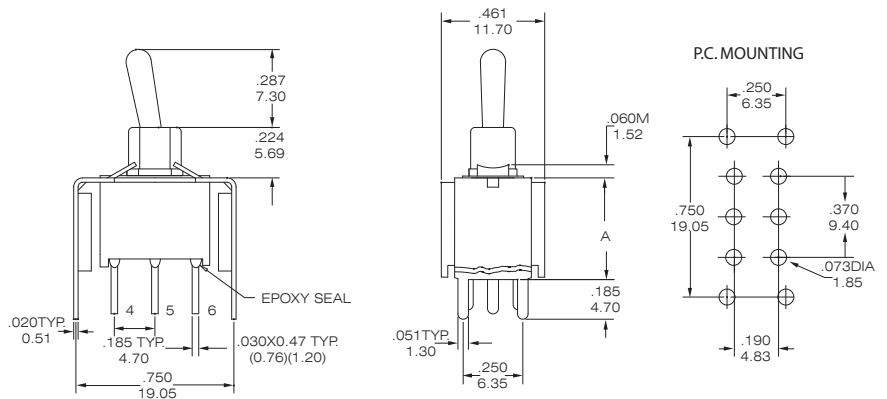
NE8011 - TNCQ-S20(S25)

option Code	A dimension
S35/V35	.460 11.68
S40/V40	.630 16.00
V35/V40 : the snap-in type	



NE8013 - TNCQ-S35(S40)

option Code	A dimension
S35/V35	.460 11.68
S40/V40	.630 16.00
V35/V40 : the snap-in type	

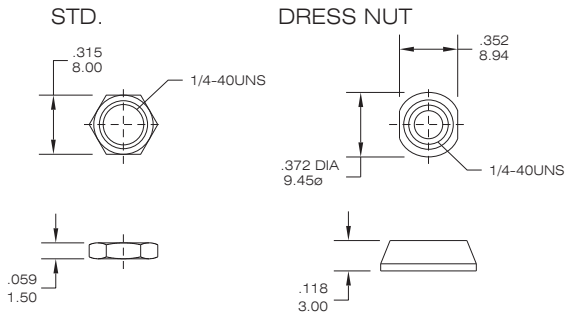


NE8011 - TNCQ-S35(S40)

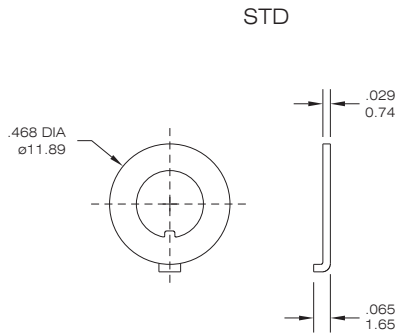


The hardware of NE80-T toggle switches (only for E bushing)

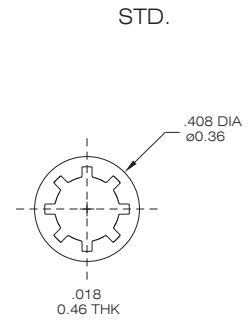
NUT



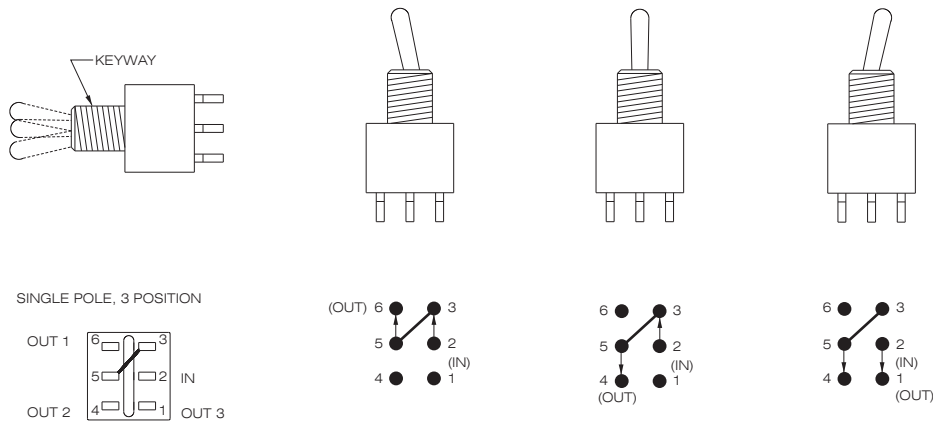
LOCKING RING



LOCK WASHER



The information of 3-way toggle switches



SP3T

INDEX

TOGGLE

ROCKER

SLIDE

PUSH BUTTON

DIP

TACT