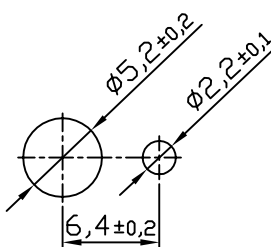
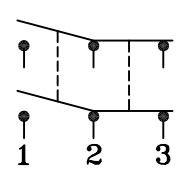
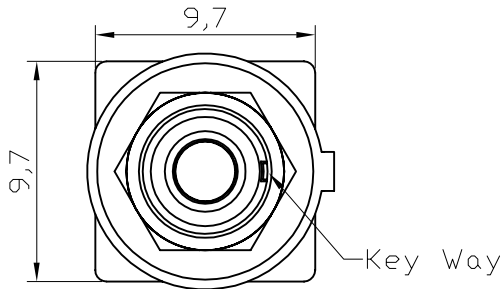
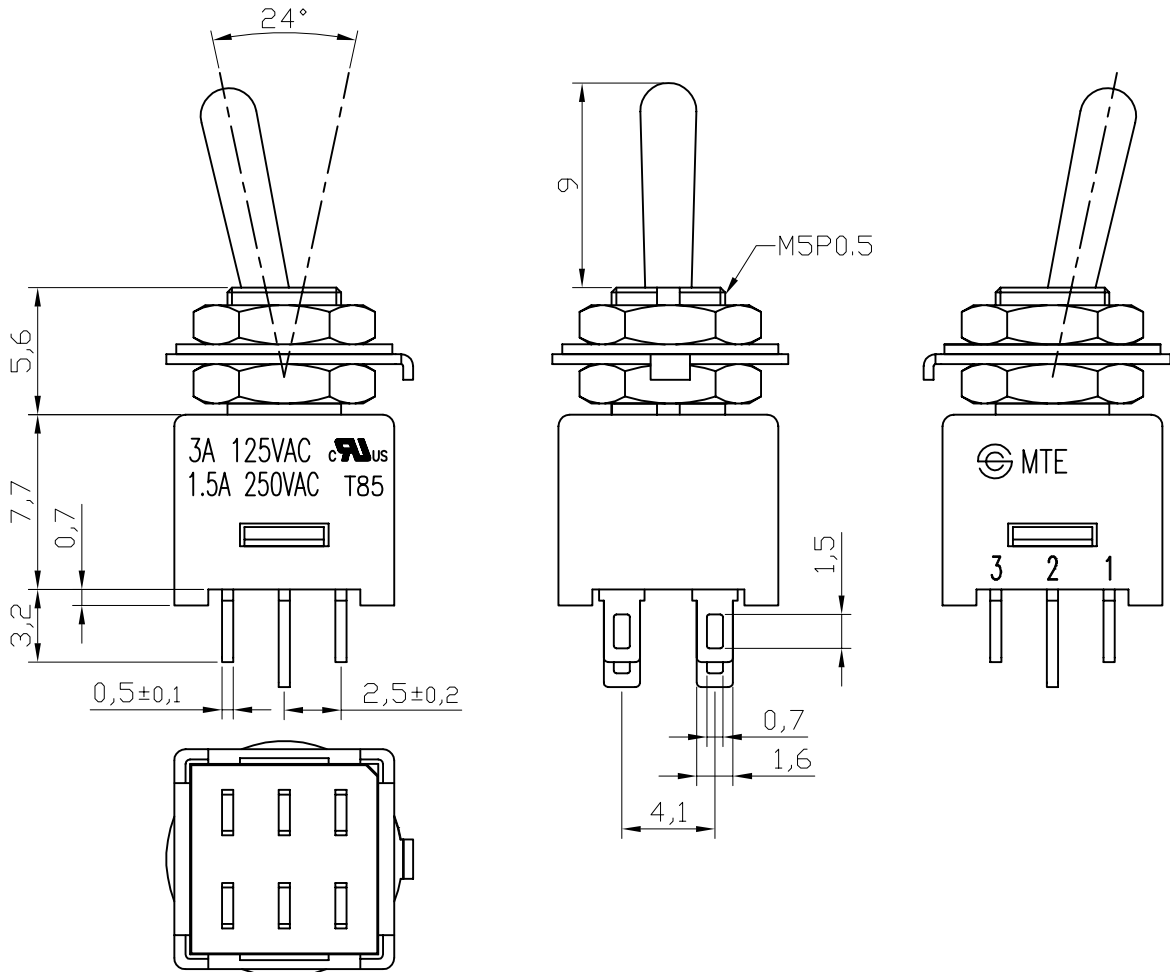


Rating	3A 125VAC, 1.5A 250VAC cULUS T85	Mounting Hole  Thickness: 2.0 max.	Circuit Structure 
Contact R	20m ohm Max.		
Insulation R	DC 500V 100M ohm Min.		
Dielectric Strength	AC 1000V 1 minute		
Operation Tempature	-20°~85°		
Circuit	6P SPDT ON-ON		



MATERIAL:
 Frame: PBT
 Base: PBT
 Toggle: Nickel plated brass
 Terminal: Silver plated copper



							△
							△
Date	Name	Descriptions					NO
Drawing	Check	Approval	SCI No.	1870025	Model Name	Mini Toggle Switch	
蘇崇仁		李景煌	Customer No.		Model No.	MTE202A1	
05/10/'06		03/13/'07	Unit	mm	SHIN CHIN INDUSTRIAL CO., LTD.		