
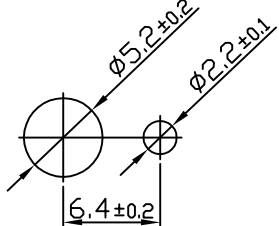
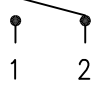
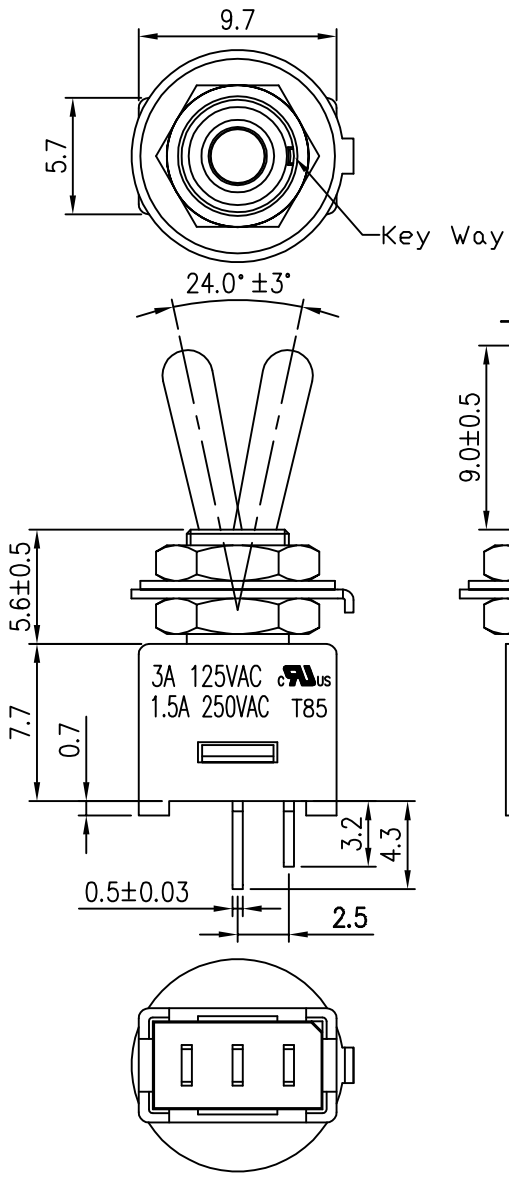
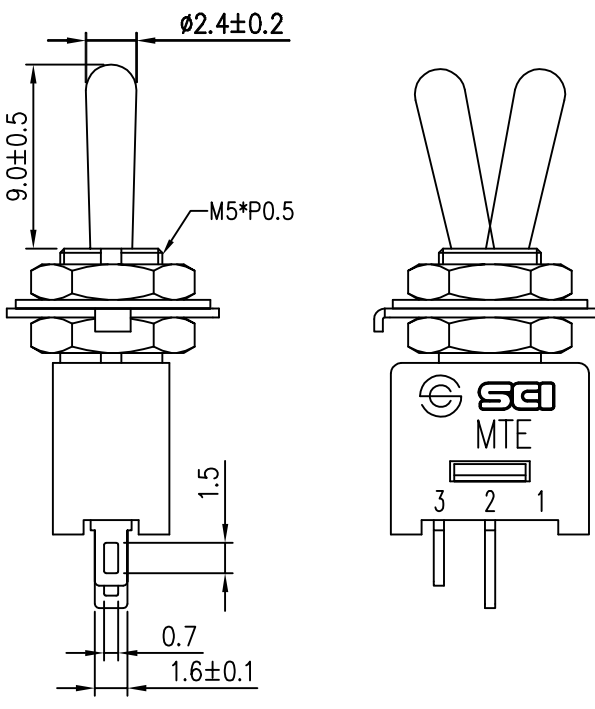


Rating	3A 125V AC 1.5A 250V AC	 T85	Mounting Hole	Circuit Diagram
Contact Resistance	20m ohm Max			
Insulation Resistance	DC 500V 100M ohm Min			
Dielectric Strength	AC 1000V 1 minute			
Operation Temperature	-20° ~85°			
Switch Function	2P SPST ON-OFF			




MATERIAL:
 Frame: PBT
 Base: PBT
 Toggle: Nickel plated brass
 Terminal: Silver plated copper



1. Tolerances Unless Otherwise Specified ±0.3

d:\projects\圖庫\其他\MTE101A1_1870023_1

								△	
7/28/'12		Ruby		Add SCI LOGO				△	
Date		Name		Description				No.	
Drawn	Checked	Approved	SCI BOM No.	1870023	Model Name	Mini Toggle Switch			
Ruby	楊金江	李元生	Customer No.		Model No.	MTE101A1		Rev.	
7/28/'12	7/30/'12	7/30/'12	Unit	mm					1