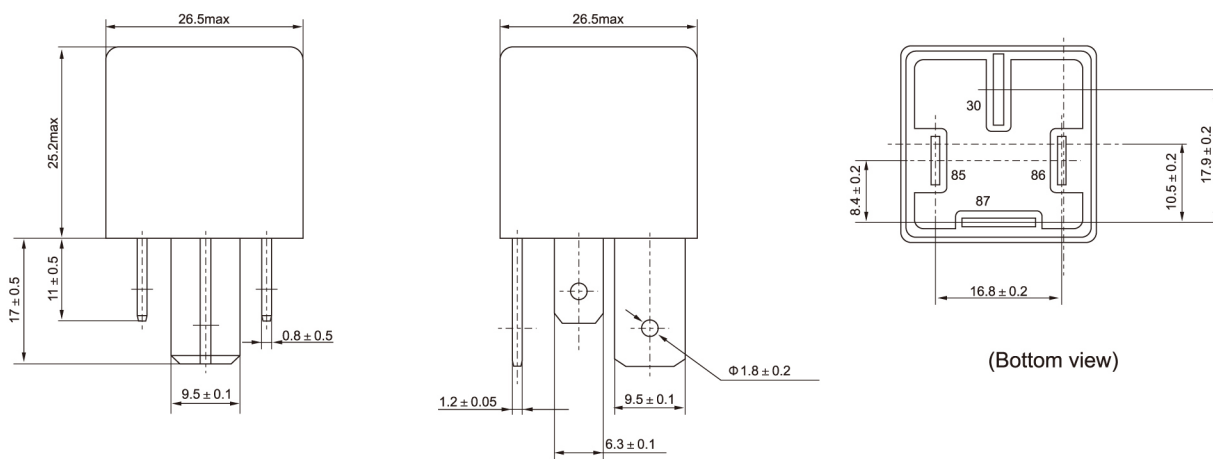


ORDERING INFORMATION

Type	MAB	-S-	1	12	-A-	R
Construction	S-sealed nil-Fluxproof					
Contact group	1 : 1group					
Coil voltage	6, 9, 12, 18, 24, 36, 48					
Contact form	A-NO					
Transient suppression resistor R-with resistor D-with parallel diode Nil-without resistor						

EXTERNAL DIMENSIONS



Wiring diagram

