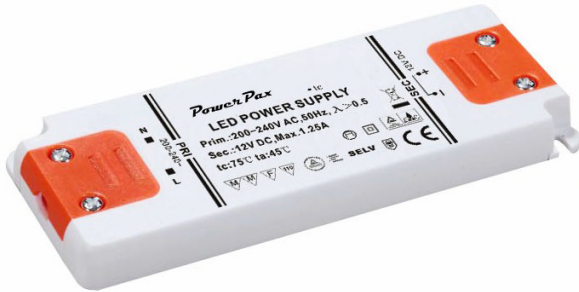


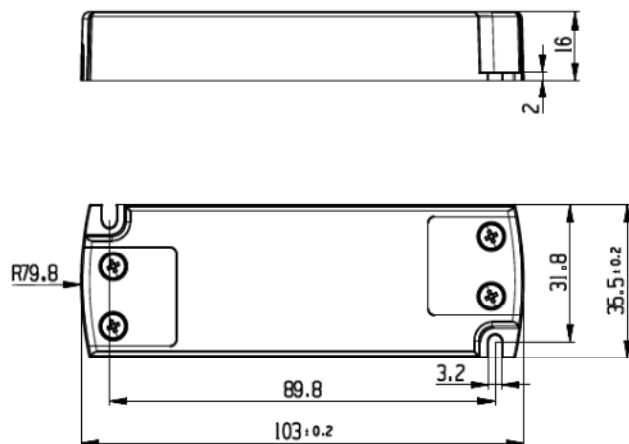
# LED Driver - 15W Constant Voltage series



**Features:**

- Ultra compact measuring just 103 x 35.5 x 16mm
- AC input 200-240vac 50Hz
- Short circuit, Overload, Open Circuit and Over Temperature Protections
- Cooling by free air convection for high reliability
- 100% ageing test on full load
- 3 Year Warranty
- Compliance to worldwide lighting safety standards
- Safety to EN61347-1, EN61347-2-13
- EMI to EN55015
- EN61000-3-2, EN61000-3-3, EN61547
- EN62493-2010
- EN1194-2012
- Available in both 12vdc and 24vdc constant voltage options

Model	Constant Voltage Output	Load	Maximum	Dimensions
LED-DR-12V-1250-15W	12vdc	0—15W	1.25A	103 x 35.5 x 16mm
LED-DR-24V-0625-15W	24vdc	0—15W	0.625A	103 x 35.5 x 16mm



PowerPax Ltd accepts no responsibility for typographical errors in the production of this leaflet. Product specifications are subject to change without notice