

SMD Ceramic Trimmer Capacitor 3mm – JKA

FEATURES

- Ultra miniature size with external dimensions of 3.2(W) x 4.5(L) x 1.5(T)mm
- Color coded case permits easy identification
- Very good Q and high resonant frequency
- Designed for reflow soldering
- Lowest capacitance drift
- Sealed construction prevents the penetration of Flux and Dust



SMD Ceramic Trimmer Capacitors 3mm JKA Series, are miniature and ultra-thin type surface mounting device, and are recommended for miniaturization of electronic equipment.

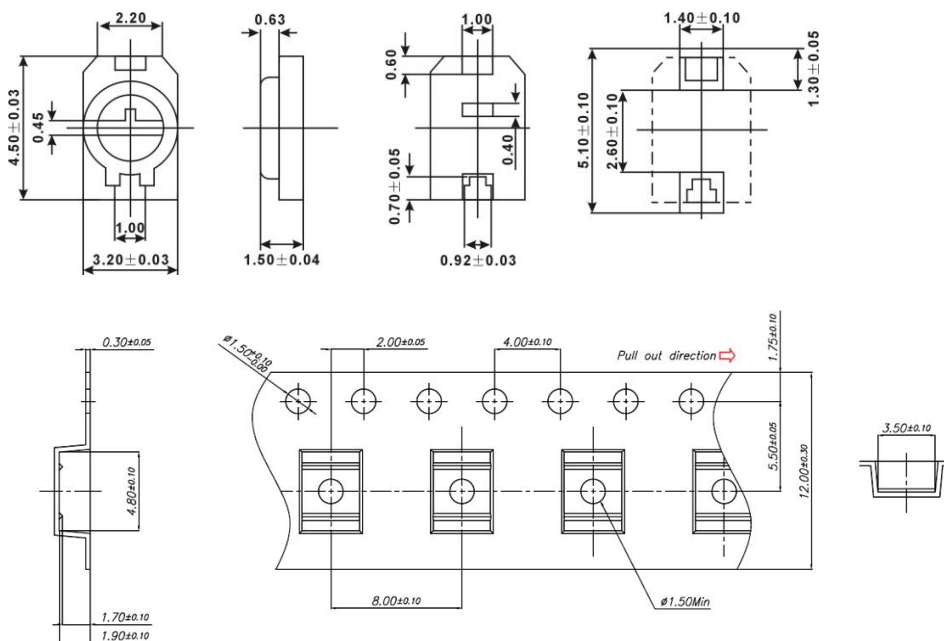
The capacity drift after adjustment is very low and having a very thin dustproof structure, these capacitors are most suited to the fine adjustment of items.

The plastic is a high temperature liquid-crystal polymer with low dielectric loss and good mechanical strength.

SPECIFICATIONS

Item	Part No	JKA3M03T	JKA3M06T	JKA3M10T	JKA3M20T	JKA3M30T
		3pF	6pF	10pF	20pF	30pF
		Black	Blue	Ivory	Pink	Green
Capacitance(pF Min)		1.5 MAX	2.0 MAX	3.0 MAX	5.5 MAX	8.0MAX
Capacitance(pF Max)		3.0 ⁺⁵⁰ -0%	6.0 ⁺⁵⁰ -0%	10.0 ⁺⁵⁰ -0%	20.0 ⁺⁵⁰ -0%	29.0 ⁺⁵⁰ -0%
Capacitance Drift (Max)		±2%	±2%	±2%	±3%	±3%
Temperature Coefficient (ppm/°C)		NPO±300	NPO±200	N600±400	N900±400	N1200±400
Q Value (at 1 Mhz, C max)		300min	500 min	700 min	500 min	250 min
DC Working Voltage		100 VDC	100 VDC	100 VDC	100 VDC	100 VDC
DC Withstanding Voltage		220 VDC	220 VDC	220 VDC	220 VDC	220 VDC
Insulation Resistance		10 ⁴ MΩMin				
Operating Temperature		-25°C to 85°C				
Rotation Torque		15 ~ 72 gf.cm				

DIMENSIONS (mm)



Please visit our website to get more update data, those data & specification are subject to change without notice.