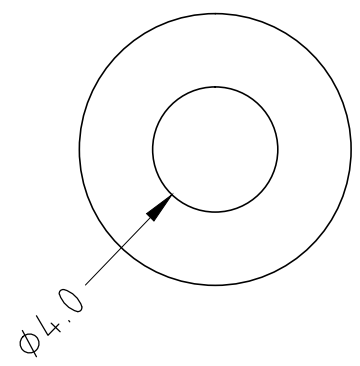
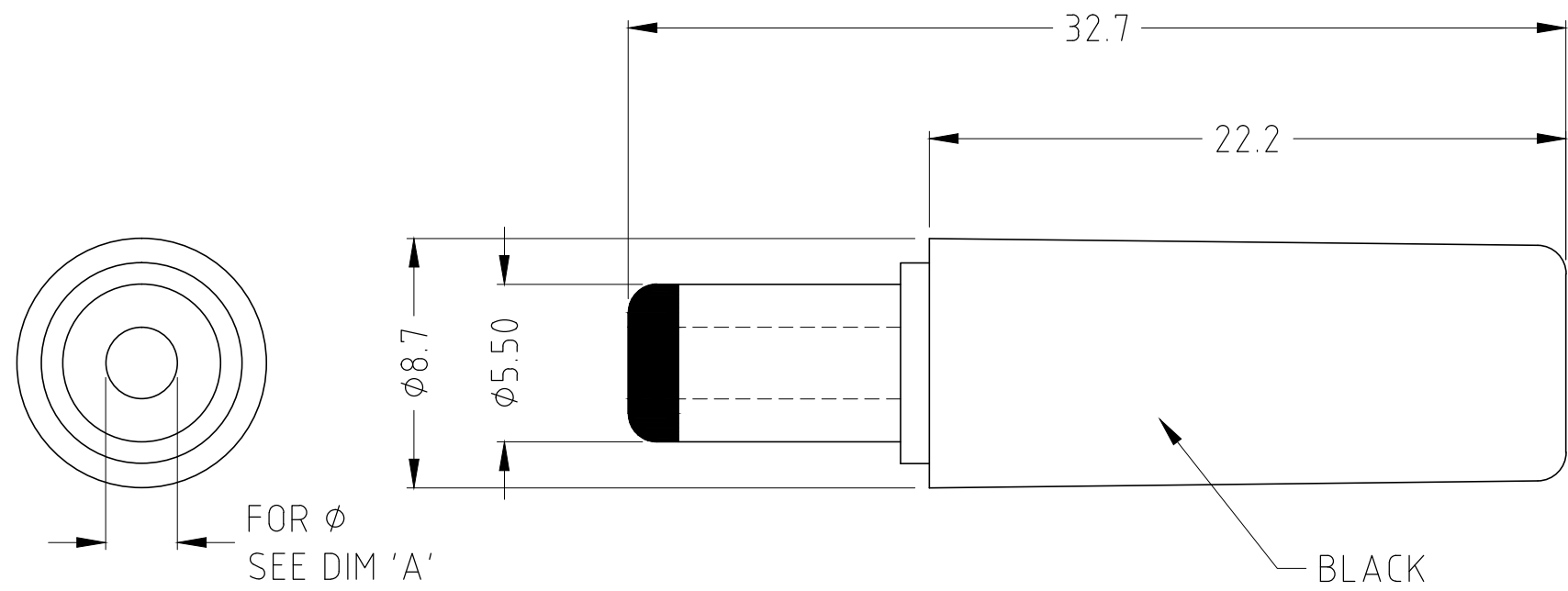
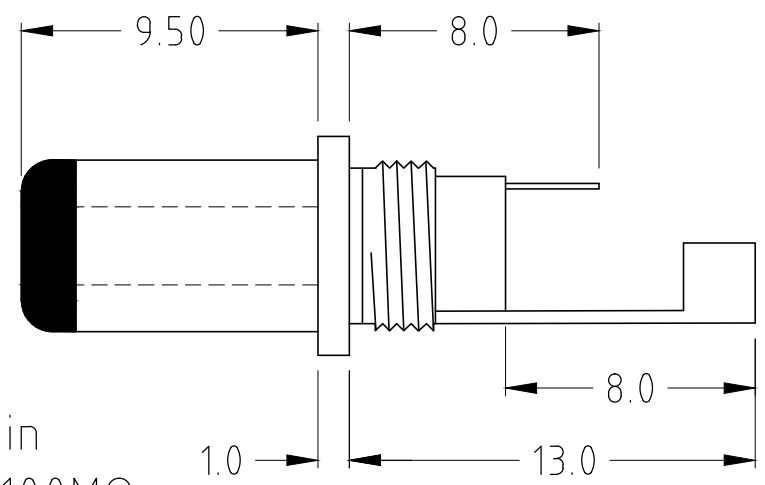


| ISS. | AMEND | DATE |
|------|------------------------|----------|
| 1 | 1st DRAWN | 27/07/90 |
| 2 | NOTE * | 02/05/91 |
| 3 | C MODELS ADD | 01/02/94 |
| 4 | F ADD, C MOD DEL | 25/04/96 |
| 5 | DIM D AMEND | 06/02/07 |
| 6 | DCPP3 B DIM ERROR | 19/02/07 |
| 7 | UPDATE TABLE+VIEWS | 04/09/13 |
| 8 | ALL OTHER VARIANTS DEL | 15/06/15 |



| PART No. | MODEL | DIM A |
|----------|-------|-------|
| FC68147 | DCPP1 | Ø2.1 |
| FC681471 | DCPP2 | Ø2.5 |



Nominal Rating: 12V 5A (60VA)
 Dielectric Strength: AC 500V/1min
 Insulation Resistance: DC 500V/100MΩ

| RoHS COMPLIANT | |
|-------------------------|--------|
| TOLERANCE | |
| NO DEC. PLACE | ± 0.50 |
| 1 DEC. PLACE | ± 0.25 |
| 2 DEC. PLACE | ± 0.10 |
| HOLE Ø ± 0.10 | |
| ANGLES ± 1/2° | |
| UNLESS OTHERWISE STATED | |
| DO NOT SCALE | |