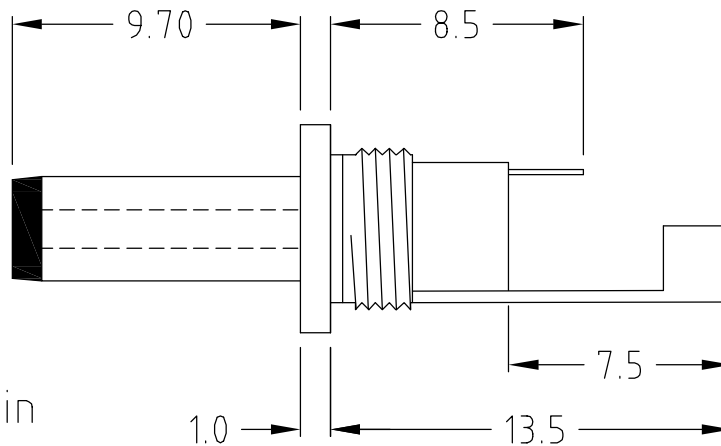
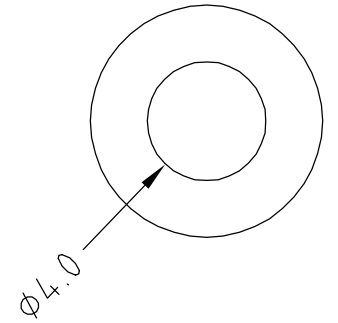
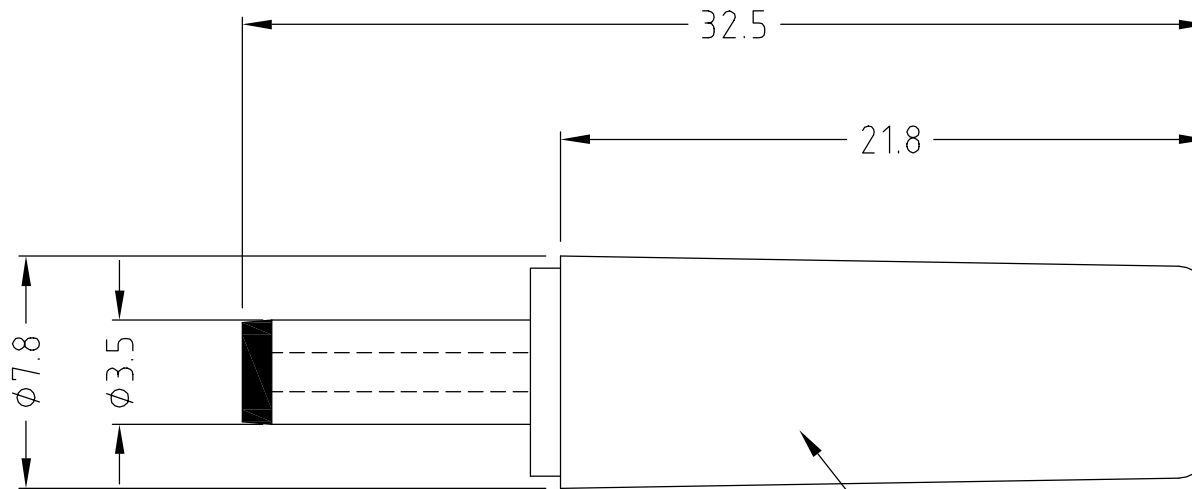
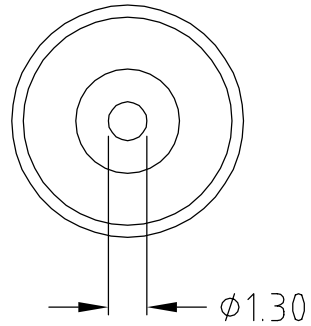


| ISS. | AMEND          | DATE     |
|------|----------------|----------|
| 1    | 1st DRAWN      | 15/1/92  |
| 2    | REVISED        | 21/10/93 |
| 3    | WAS ON FC68147 | 15/06/15 |



BLACK COVER

Nominal Rating: 12V 5A (60VA)  
 Dielectric Strength: AC 500V/1min  
 Insulation Resistance: DC 500V/100M $\Omega$

**RoHS**  
 COMPLIANT

**TOLERANCE**  
 NO DEC. PLACE  $\pm 0.50$   
 1 DEC. PLACE  $\pm 0.25$   
 2 DEC. PLACE  $\pm 0.10$   
 HOLE  $\phi \pm 0.10$   
 ANGLES  $\pm 1/2^\circ$   
 UNLESS OTHERWISE STATED

**Cliff Electronic Components Ltd.**

76 Holmethorpe Avenue, Holmethorpe Industrial Estate,  
 Redhill, Surrey, RH1 2PF, England, UK  
 Tel: 01737-771375 Fax: 01737-766012 Website: www.cliffuk.co.uk

DIMENSIONS IN MILLIMETERS UNLESS OTHERWISE STATED. WORK TO DIMENSIONS. REMOVE ALL BURRS. IF IN DOUBT ASK.

3rd ANGLE PROJECTION:

DO NOT SCALE

MATERIAL: ABS / POM / BRASS

FINISH: AS MOULDED / Ni PLATED

TITLE: DC CONNECTOR DCP3  $\phi 1.30$  (FLANGED)

THE CONTENTS OF THIS DOCUMENT MUST NOT BE COPIED OR DISCLOSED TO A 3rd PARTY WITHOUT WRITTEN PERMISSION OF CLIFF UK. © 1992

DRAWN: T.J.O.

APPROVED: D.P.J.

DRWG. No. **FA67555**

FORM: A4DRWGH