

AV-F8025



SIZE:

80x80x25mm

construction:

Glass Fiber reinforced plastic;

Impeller and housing PBT are UL 94V-0 rating

OPERATING TEMPERATURE:

Sleeve bearing -10°C to +70°C

INSULATION RESISTANCE:

10meg Ohm min, at 500 VDC

(between frame and terminal)

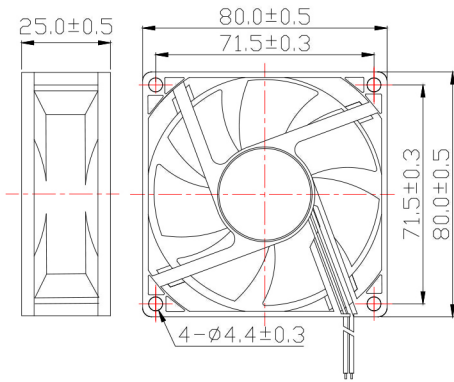
DIELECTRIC STRENGTH:

5mA max, at 500 VAC 60Hz one minute

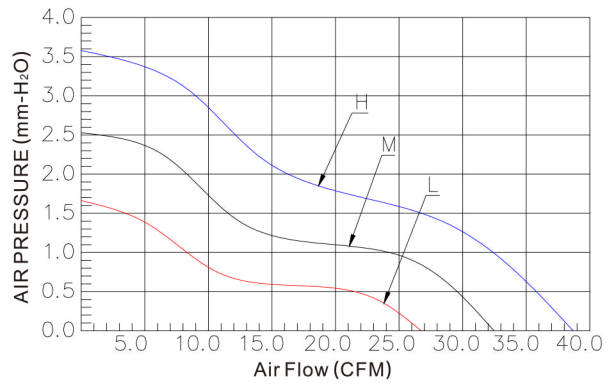
(between frame and terminal)

Dimensions Drawing

Unit:mm



Characteristic Curves



Specifications

Carton Specifications (Unit: cm):41.3x27x34 QTY:200pcs GW:12.93Kg

Model	Bearing Type	Rated Voltage	Operation Voltage	Current	Speed	Air Flow	Static Pressure	Noise Level	Weight
		VDC	VDC						
AV-F8025HS	Sleeve	12	10.8~13.2	0.35	4000	38.88	3.54	32.31	60.9
AV-F8025MS	Sleeve	12	10.8~13.2	0.20	3000	32.37	2.52	27.85	60.9
AV-F8025LS	Sleeve	12	10.8~13.2	0.08	2000	25.64	1.64	22.05	60.9
AV-F8025HB	Ball	12	10.8~13.2	0.35	4000	38.88	3.54	32.31	60.9
AV-F8025MB	Ball	12	10.8~13.2	0.20	3000	32.37	2.52	27.85	60.9
AV-F8025LB	Ball	12	10.8~13.2	0.08	2000	25.64	1.64	22.05	60.9
AV-F8025HS24	Sleeve	24	21.6~26.4	0.25	4000	38.88	3.54	32.31	60.9
AV-F8025MS24	Sleeve	24	21.6~26.4	0.15	3000	32.37	2.52	27.85	60.9
AV-F8025LS24	Sleeve	24	21.6~26.4	0.07	2000	25.64	1.64	22.05	60.9
AV-F8025HB24	Ball	24	21.6~26.4	0.25	4000	38.88	3.54	32.31	60.9
AV-F8025MB24	Ball	24	21.6~26.4	0.15	3000	32.37	2.52	27.85	60.9
AV-F8025LB24	Ball	24	21.6~26.4	0.07	2000	25.64	1.64	22.05	60.9