

AV-F8010



SIZE:

80x80x10mm

construction:

Glass Fiber reinforced plastic;

Impeller and housing PBT are UL 94V-0 rating

OPERATING TEMPERATURE:

Sleeve bearing -10°C to +70°C

INSULATION RESISTANCE:

10meg Ohm min, at 500 VDC

(between frame and terminal)

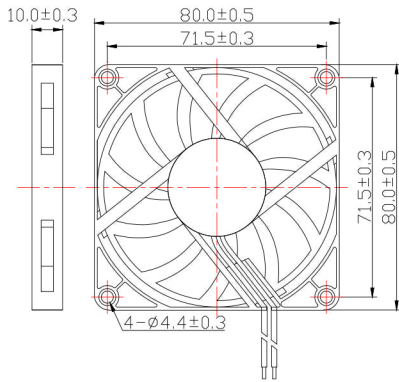
DIELECTRIC STRENGTH:

5mA max, at 500 VAC 60Hz one minute

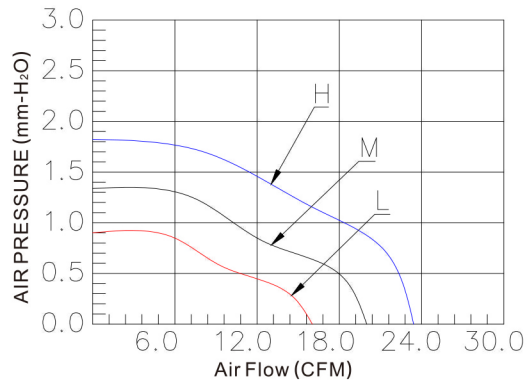
(between frame and terminal)

| Dimensions Drawing

Unit:mm



| Characteristic Curves



| Specifications

Carton Specifications (Unit: cm):43x22x34 QTY:400pcs GW:13.55Kg

Model	Bearing Type	Rated Voltage	Operation Voltage	Current	Speed	Air Flow	Static Pressure	Noise Level	Weight
		VDC	VDC						
AV-F8010HS05	Sleeve	5	4.5~5.5	0.35	3000	23.45	1.81	30.75	32
AV-F8010MS05	Sleeve	5	4.5~5.5	0.25	2500	19.68	1.31	26.25	32
AV-F8010LS05	Sleeve	5	4.5~5.5	0.17	2000	15.58	0.09	22.08	32
AV-F8010HB05	Ball	5	4.5~5.5	0.35	3000	23.45	1.81	30.75	32
AV-F8010MB05	Ball	5	4.5~5.5	0.25	2500	19.68	1.31	26.25	32
AV-F8010LB05	Ball	5	4.5~5.5	0.17	2000	15.58	0.09	22.08	32
AV-F8010HS	Sleeve	12	10.8~13.2	0.24	3000	23.45	1.81	30.75	32
AV-F8010MS	Sleeve	12	10.8~13.2	0.18	2500	19.68	1.31	26.25	32
AV-F8010LS	Sleeve	12	10.8~13.2	0.12	2000	15.58	0.09	22.08	32
AV-F8010HB	Ball	12	10.8~13.2	0.24	3000	23.45	1.81	30.75	32
AV-F8010MB	Ball	12	10.8~13.2	0.18	2500	19.68	1.31	26.25	32
AV-F8010LB	Ball	12	10.8~13.2	0.12	2000	15.58	0.09	22.08	32