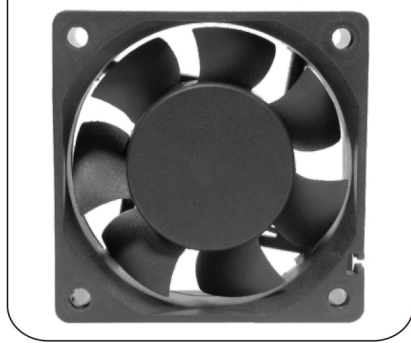


AV-F6025



SIZE:

60x60x25mm

construction:

Glass Fiber reinforced plastic;

Impeller and housing PBT are UL 94V-0 rating

OPERATING TEMPERATURE:

Sleeve bearing -10°C to +70°C

INSULATION RESISTANCE:

10meg Ohm min, at 500 VDC

(between frame and terminal)

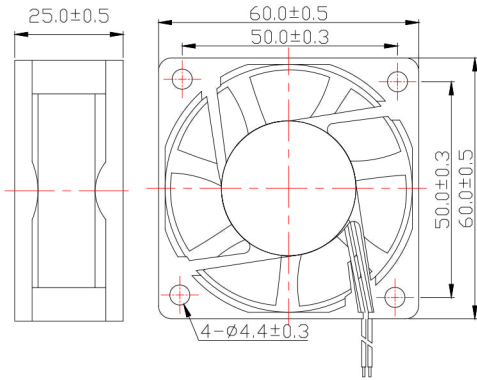
DIELECTRIC STRENGTH:

5mA max, at 500 VAC 60Hz one minute

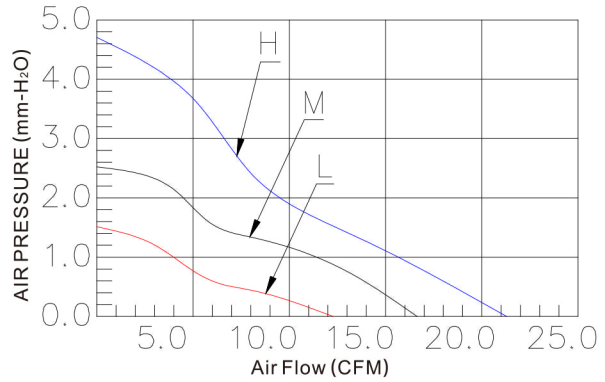
(between frame and terminal)

Dimensions Drawing

Unit:mm



Characteristic Curves



Specifications

Carton Specifications (Unit: cm):33x32x32 QTY:300pcs GW:15.5Kg

Model	Bearing Type	Rated Voltage	Operation Voltage	Current	Speed	Air Flow	Static Pressure	Noise Level	Weight
		VDC	VDC						
AV-F6025HS	Sleeve	12	10.8~13.2	0.14	4000	21.08	4.70	29.32	49.2
AV-F6025MS	Sleeve	12	10.8~13.2	0.11	3300	17.41	2.56	24.64	49.2
AV-F6025LS	Sleeve	12	10.8~13.2	0.08	2500	13.21	1.15	21.05	49.2
AV-F6025HB	Ball	12	10.8~13.2	0.14	4000	21.08	4.70	29.32	49.2
AV-F6025MB	Ball	12	10.8~13.2	0.11	3300	17.41	2.56	24.64	49.2
AV-F6025LB	Ball	12	10.8~13.2	0.08	2500	13.21	1.15	21.05	49.2
AV-F6025HS24	Sleeve	24	21.6~26.4	0.10	4000	21.08	4.70	29.32	49.2
AV-F6025MS24	Sleeve	24	21.6~26.4	0.08	3300	17.41	2.56	24.64	49.2
AV-F6025LS24	Sleeve	24	21.6~26.4	0.06	2500	13.21	1.15	21.05	49.2
AV-F6025HB24	Ball	24	21.6~26.4	0.10	4000	21.08	4.70	29.32	49.2
AV-F6025MB24	Ball	24	21.6~26.4	0.08	3300	17.41	2.56	24.64	49.2
AV-F6025LB24	Ball	24	21.6~26.4	0.06	2500	13.21	1.15	21.05	49.2