

## AV-F4010



### SIZE:

40x40x10mm

### construction:

Glass Fiber reinforced plastic;  
 Impeller and housing PBT are UL 94V-0 rating

### OPERATING TEMPERATURE:

Sleeve bearing -10°C to +70°C

### INSULATION RESISTANCE:

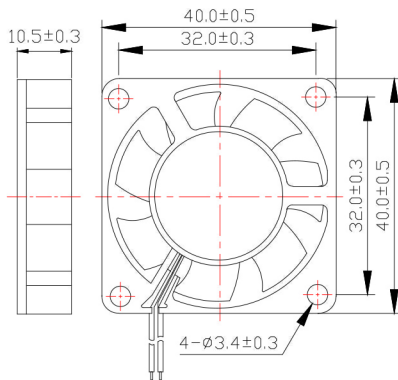
10meg Ohm min, at 500 VDC  
 (between frame and terminal)

### DIELECTRIC STRENGTH:

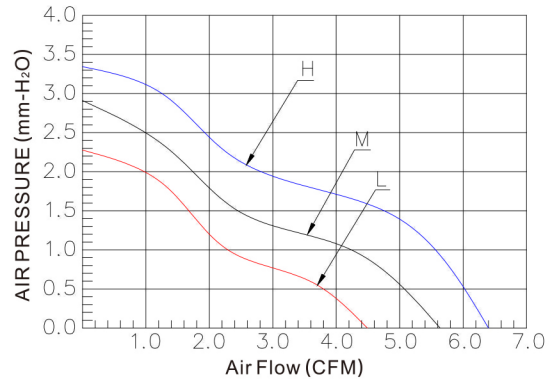
5mA max, at 500 VAC 60Hz one minute  
 (between frame and terminal)

### | Dimensions Drawing

Unit:mm



### | Characteristic Curves



### | Specifications

Carton Specifications (Unit: cm):44x22x22 QTY:1000pcs GW:12.95Kg

Model	Bearing Type	Rated Voltage	Operation Voltage	Current	Speed	Air Flow	Static Pressure	Noise Level	Weight
		VDC	VDC						
AV-F4010HS05	Sleeve	5	4.5~5.5	0.24	6000	6.40	3.31	26.26	12.2
AV-F4010MS05	Sleeve	5	4.5~5.5	0.18	5400	5.62	2.91	24.87	12.2
AV-F4010LS05	Sleeve	5	4.5~5.5	0.12	4200	4.48	2.32	21.13	12.2
AV-F4010HB05	Ball	5	4.5~5.5	0.24	6000	6.40	3.31	26.26	12.2
AV-F4010MB05	Ball	5	4.5~5.5	0.18	5400	5.62	2.91	24.87	12.2
AV-F4010LB05	Ball	5	4.5~5.5	0.12	4200	4.48	2.32	21.13	12.2
AV-F4010HS	Sleeve	12	10.8~13.2	0.10	6000	6.40	3.31	26.26	12.2
AV-F4010MS	Sleeve	12	10.8~13.2	0.08	5400	5.62	2.91	24.87	12.2
AV-F4010LS	Sleeve	12	10.8~13.2	0.06	4200	4.48	2.32	21.13	12.2
AV-F4010HB	Ball	12	10.8~13.2	0.10	6000	6.40	3.31	26.26	12.2
AV-F4010MB	Ball	12	10.8~13.2	0.08	5400	5.62	2.91	24.87	12.2
AV-F4010LB	Ball	12	10.8~13.2	0.06	4200	4.48	2.32	21.13	12.2