
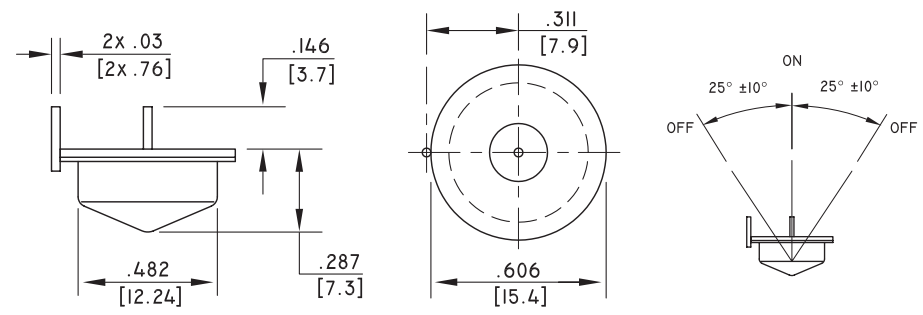


**Part Number : CW1725-1**  
**Tip Over Switch - Normally Closed**  
**Product Data Sheet**

PICTURE	DIMENSIONS	
		
<b>✓RoHS Compliant</b>	Drawings not to scale All dimensions in inches [mm.] nominal	
	Vertical working position	

SPECIFICATION		
Contact Form / Style		Normally Closed
Switching Voltage	Max.	60 VDC.
Switching Current	Max.	0.25 A.
Switching Capacity (Resistive)	Max.	3 VA.
Contact Resistance	Max.	30 Ohms at 5 VDC.
Operating Angle - Break		25° ±10 Omnidirectional
Remake Angle	Min.	8°
Operating Temperature Range		-37°C +100°C
Case Material		Tin Plated Steel
Construction		Hermetically Sealed and Inert Gas Filled

- | Applications  |
|---|
| <ul style="list-style-type: none"> <li>● Security</li> <li>● Level Detection</li> <li>● Motion Detection</li> </ul> |

NOTE
<ul style="list-style-type: none"> <li>● When cutting, bending or soldering switch electrodes it is important that the glass to metal seal is not damaged. The cutting or bending point should be no closer than 3mm to the glass to metal seal and the electrode should be supported between the cutting or bending point and the glass to metal seal.</li> </ul>

- | Options  |
|--|
| <ul style="list-style-type: none"> <li>● Without second electrode.</li> <li>● With flexible wires.</li> <li>● In encapsulated plastic enclosure.</li> <li>● In other external plating materials.</li> <li>● Electrode pin configurations.</li> <li>● If you do not see what you need, just ask, as there is a strong possibility we can do it !</li> </ul> |

Rev. No.	Revision Note	Date	Signature
2	Datasheet Redesign	05-26-06	LG



As part of the company policy of continued product improvement, specifications may change without notice. Our sales office will be pleased to help you with the latest information on this product range and the details of our full design and manufacturing service. All products are supplied to our standard conditions of sale unless otherwise agreed in writing.

Phone: (1) 973 777 6900      www.comus-intl.com      Fax : (1) 973 777 8405

Belgium: + 32 (0)12 390400 - France: + 33 (0) 1 43 96 86 10 - Assemtech, UK: +44 (0) 1255 862236  
 ©2006 Copyright Comus International ,454 Alwood Road, Clifton NJ 07012, USA.