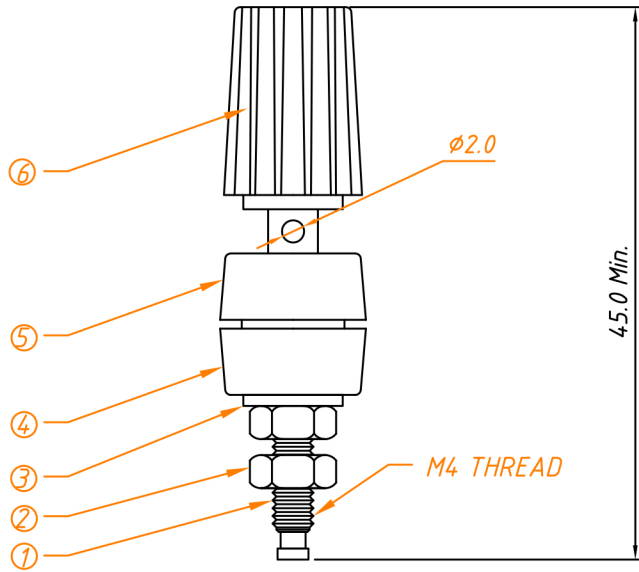


PANEL MOUNT



6	Block Shot	PBT	PCS	1
5	Bush-UP	PBT	PCS	1
4	Bush-Down	PBT	PCS	1
3	Washer	9.0x4.1x1.0mm,Steel,Nickel plated	PCS	2
2	NUT	Nut,M4,Nickel plated	PCS	2
1	Screw Body	Zinc,Nickel plated	PCS	1
ITEM	PART NAME	Description	UNIT	Q'TY

		Description:
PROJECTION		
UNITS	mm	
SHEET SIZE	A4	
Draw:Daniel	2019-07-18	
Checked:Daniel	2019-07-18	



Daniel



Switch

ELECTRONICS