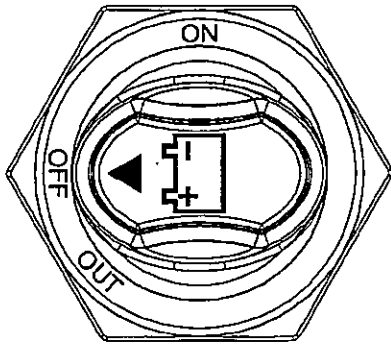
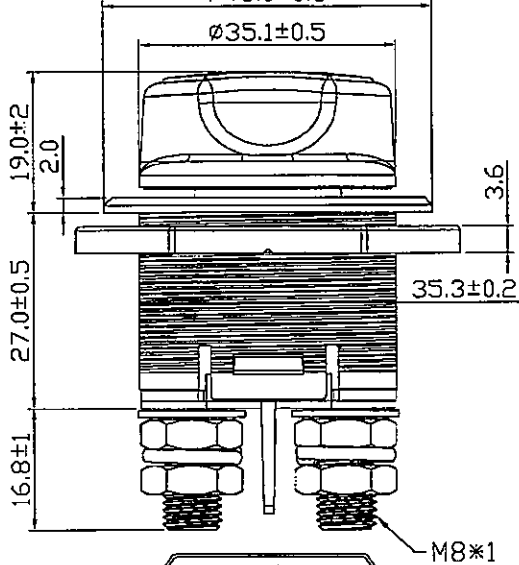


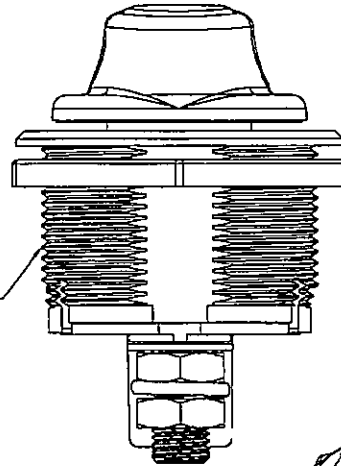
Continuous Rating	200Amps 50VDC Max.	Mounting Hole	Circuit Diagram	
Intermittent Rating	300 Amps		OFF	ON
Cranking Rating	1000 Amps 5 sec.			
Contact Resistance	50m ohm Max			
Insulation Resistance	DC 500V 100M ohm Min			
Dielectric Strength	AC 1000V 1 minute, DC 2000V 1 minute			
Operation Temperature	-30°C~+60°C			
Switch Function	2P SPST OFF-ON			



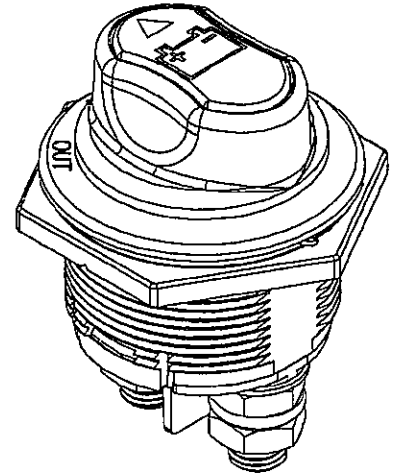
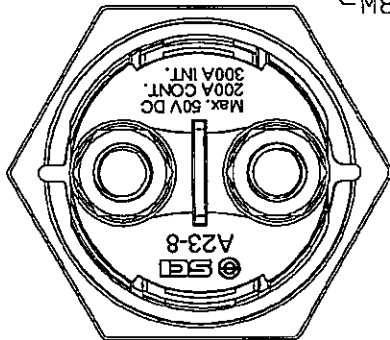
ø45.0±0.5



M38\*1.5



**\*MATERIAL:**  
Housing: Black, PA#66+33%GF with White hot stamping  
Actuator: Red, PBT+15%GF  
Name Plate: White, ABS with Black hot stamping  
Bottom: Black, PBT+15%GF  
Nut: Steel  
Bolt: Brass  
Hex Nut: Ni-plated, Brass  
\*Waterproof: IP40



tolerances Unless otherwise specified ±0.3

C3WORK14VA23-8BO

							△
							△
Date	Name	Descriptions					NO
Drawn	Checked	Approved	SCI BOM No.		Model Name	Battery SWITCH	
B.S.Wang		王伯山	Customer No.		Model No.	A23-8B	REV.
11/21/16		11/21/16	Unit	mm	SHIN CHIN INDUSTRIAL CO., LTD.		X0