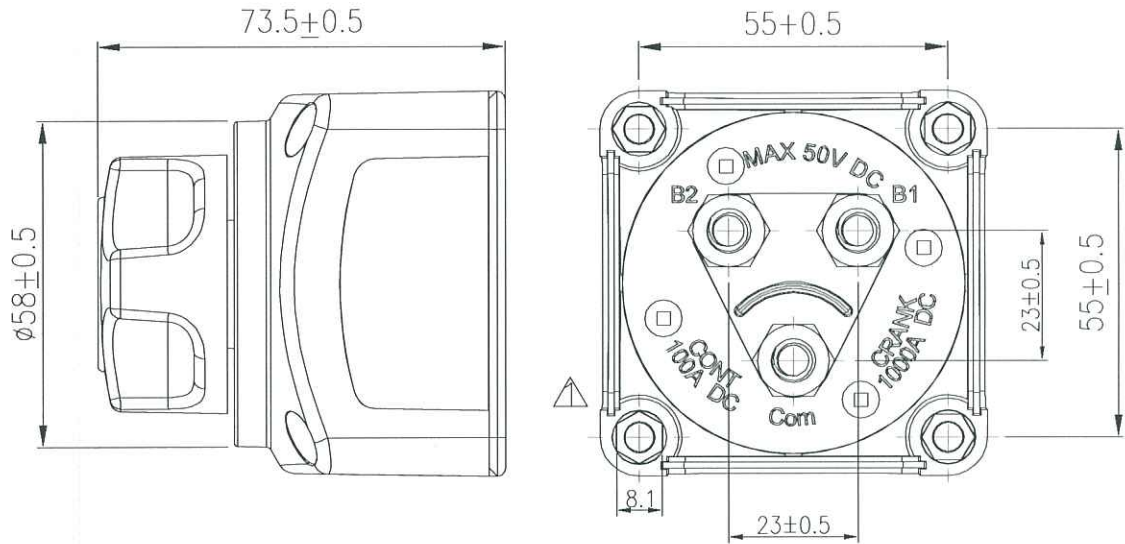
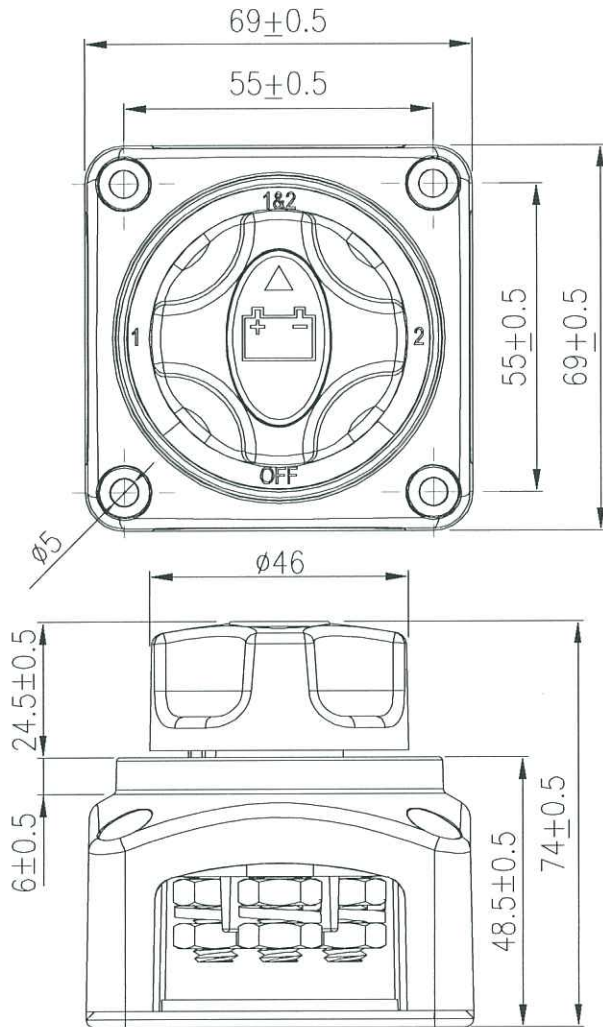


|   |                        |               |   |                 |  |
|---|------------------------|---------------|---|-----------------|--|
| Continuous Rating                         | 100 Amps 12~50 VDC     | Mounting Hole |   | Circuit Diagram |  |
| Intermittent Rating                       | 300 Amps               | A             | B | OFF             |  |
| Continuous Rating for UL-1107 requirement | 100 Amps               |               |   | 1               |  |
| Cranking Rating                           | 1000 Amps              |               |   | 2               |  |
| Insulation Resistance                     | DC 1000V 100M ohm Min. |               |   |                 |  |
| Dielectric Strength                       | DC 2000V 1 minute      |               |   |                 |  |
|   | AC 1000V 1 minute      |               |   |                 |  |
| Operation Temperature                     | -20 °C~80°C            |               |   |                 |  |
| Switch Function                           | OFF/1/2/1&2            |               |   |                 |  |
| Actuation Force                           | 5±0.5 Kgf-cm           |               |   |                 |  |
|   |                        |               |   |                 |  |



Material:

Actuator, Housing, Cover are PBT (UL flame: 94V-0)  
 Contact Screw are copper alloy.  
 Nut are nickel plated brass.

Note:

1. Tolerance is ±0.5mm (0.02") unless otherwise noted.

|          |      |                           |    |        |         |          |              |            |                                |      |
|----------|------|---------------------------|----|--------|---------|----------|--------------|------------|--------------------------------|------|
| 02/15/12 | 方婷鳳  | 依實際測試規格更改電流, 原200A改為100A. | △  | Drawn  | Checked | Approved | SCI BOM No.  | Model Name | Battery Switch                 | REV. |
| Date     | Name | Description               | NO | 6/6/12 |         |          | Customer No. | Model No.  | A23-3                          |      |
|          |      |                           |    |        |         |          | Unit         | mm         | Shin Chin Industrial Co., Ltd. |      |