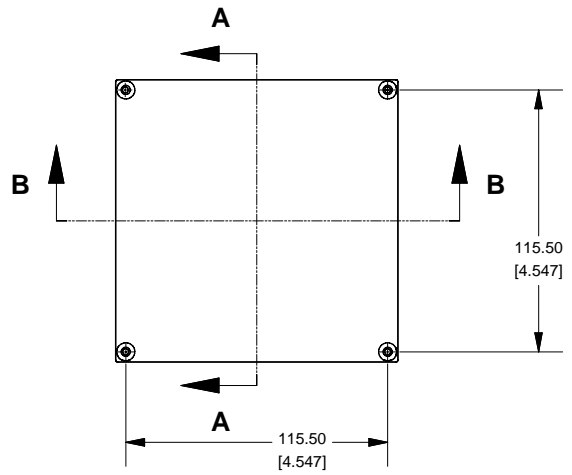
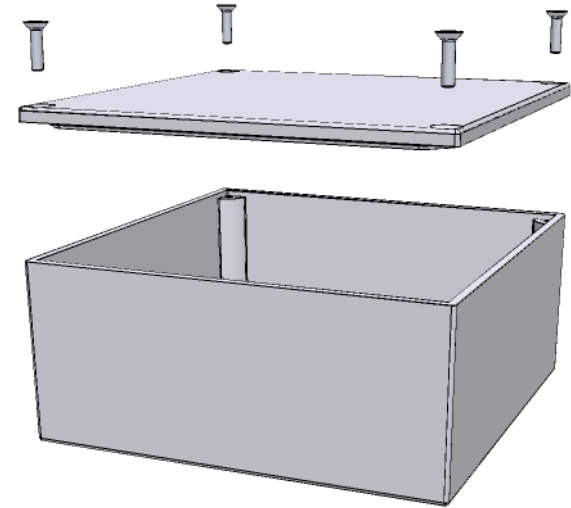
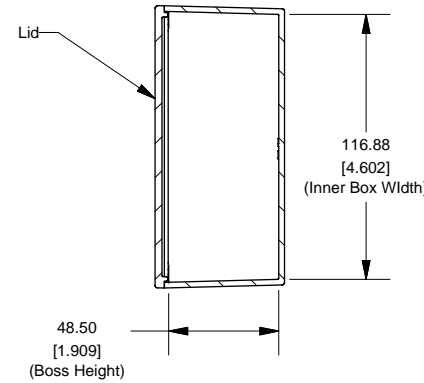


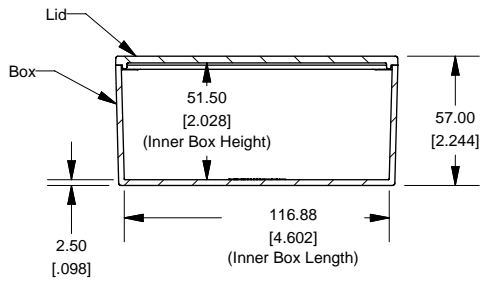
Top View of Assembly



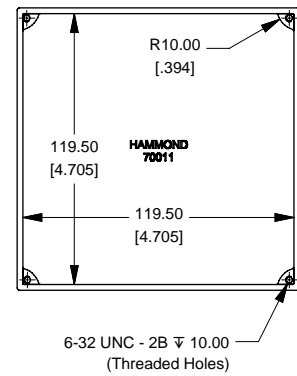
SECTION A-A End View of Assembly



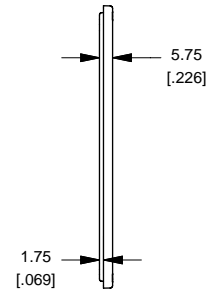
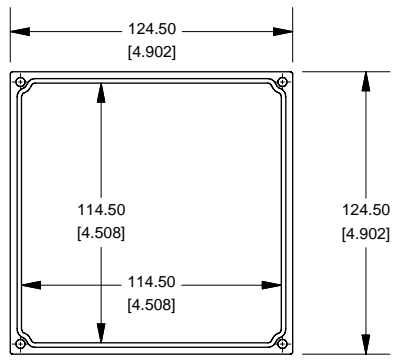
SECTION B-B Side View of Assembly



Top View Looking Inside Box



Lid



Enclosures can be Factory Modified (Milling, Drilling, Printing etc.)
 Solid models of this enclosure available in STEP or IGES.
 Contact Factory jelkins@hammond-electronics.co.uk

NOTE	
Purchased assembly includes Deep Lid, Base Plate and 4 cover screws.	
Eddystone 70011	
PART INFORMATION	
Part Number:	70011
Material:	Diecast Aluminum Alloy (Type LM24)
Cover Screw Type:	M3.5 x 12 taptite screws (Screws accept POZDRIV No. 2 screwdriver)

HAMMOND MANUFACTURING™

70011

www.hammondmfg.com