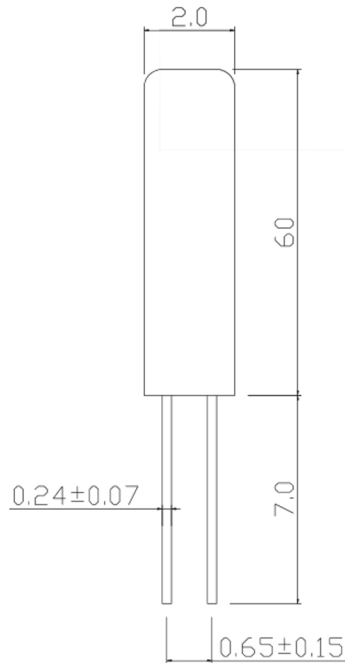


Specifications

Frequency:	32.768KHz
Frequency Tolerance:	±20ppm
Load Capacitance:	±12.5pF
Insulation Resistance:	500MΩ at 100VDC
Operating Temperature:	-20°C to +70°C



Description	Ref Code
32.768kHz Cylindrical Watch Crystal 2x6mm	551784