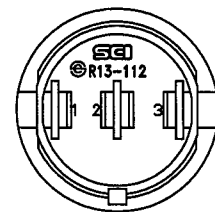
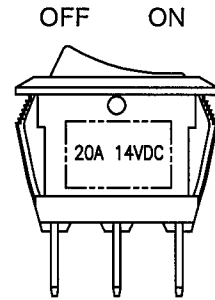
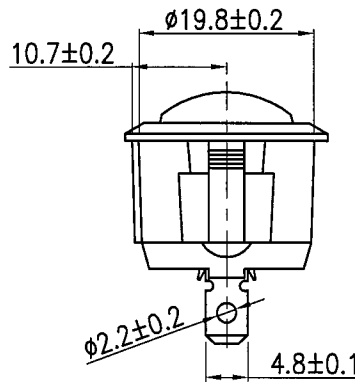
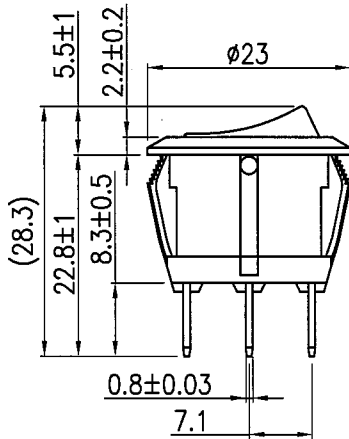
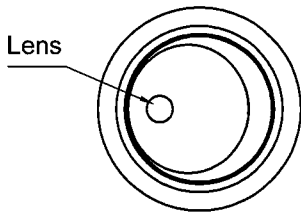
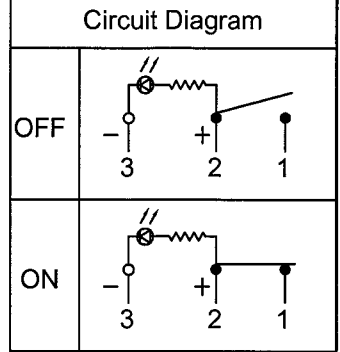


Rating	20A 14VDC	Mounting Hole	
Contact Resistance	50m ohm Max.		
Insulation Resistance	DC 500V 100M ohm Min.		
Dielectric Strength	AC 1500V 1 minute		
Operation Temperature	-25°C~85°C		
Switch Function	3P SPST ON-OFF (LED dependent)		
		Thickness:2.0~3.0	Thickness:0.7~3.0

Material:  
 Frame: Nylon#66, Black  
 Actuator: Nylon#66, Black  
 Lens: PC, Red clear  
 Printed: None



Tolerances ±0.3 Unless Otherwise Specified

06/29/'16	曹盈芳	依實物增加SCI LOGO和更新本體刻字			△
Date	Name	Description			No.
Drawn	Checked	Approved	SCI BOM No.	1821255	Model Name
曹盈芳		王作山	Customer No.		ROCKER SWITCH
06/29/'16		6/29/16	Unit	mm	Model No.
					R13-112B2-02
					Rev.
Shin Chin Industrial Co., Ltd.					1