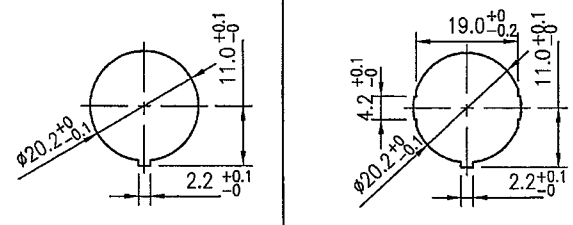
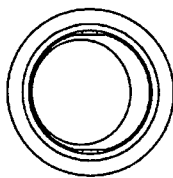
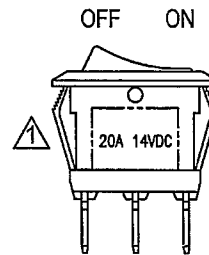
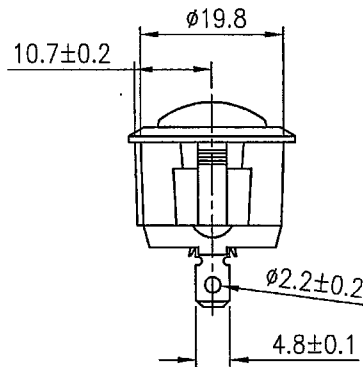
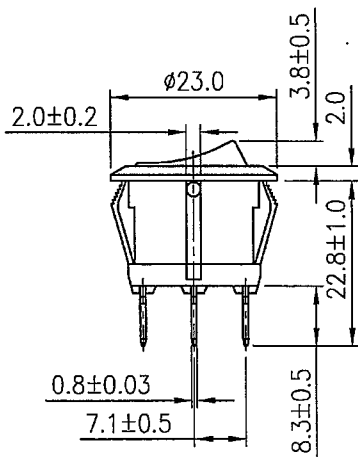
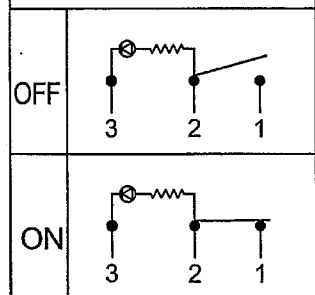


Rating	20A 14VDC	Mounting Hole 	
Contact Resistance	50m ohm Max.		
Insulation Resistance	DC 500V 100M ohm Min.	Thickness:2.0~3.0	
Dielectric Strength	AC 1500V 1 minute	Thickness:0.7~3.0	
Operation Temperature	-25°C~85°C		
Switch Function	3P SPST ON-OFF (LED dependent)		

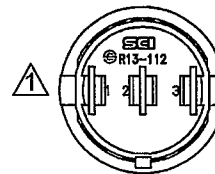


Material:
 Frame: Black, Nylon 66 (94-V2)
 Lens: PC
 Terminals: Silver plated, Copper alloy
 Lamp: LED
 Hot stamping: None

Circuit Diagram



原稿
 2017.4.24
 研發部



1824290	Red Clear	Red
1822796	Blue Clear	Blue
SCI NO.	Lens Color	LED Color

1 - Tolerances ±0.3 Unless Otherwise Specified

03/17/17	曾敏捷	依現況增加 SCI Logo與更新本體刻字				△
Date	Name	Description				No.
Drawn	Checked	Approved	SCI BOM No.	SEE TABLE	Model Name	ROCKER SWITCH
曾敏捷	符承進	Simon	Customer No.		Model No.	R13-112B-02
03/17/17	3/22/17	3/23-17	Unit	mm	Shin Chin Industrial Co., Ltd.	
						Rev. 1