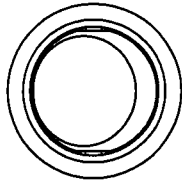
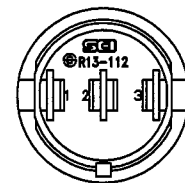
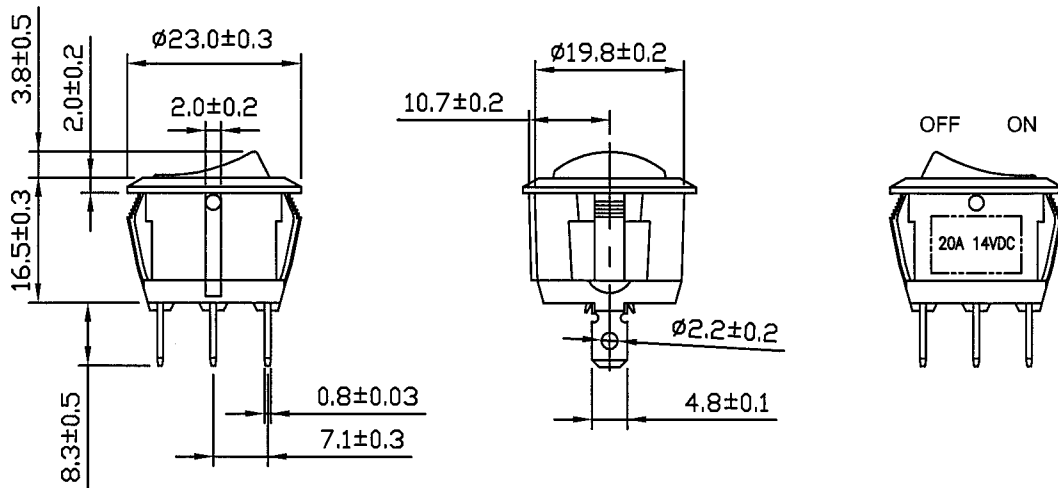
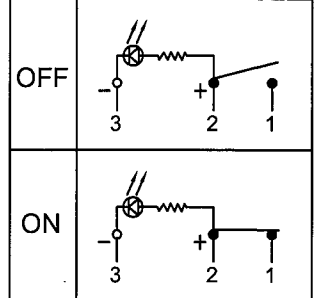


Rating	20A 14VDC	Mounting Hole	
Contact Resistance	50m ohm Max.		
Insulation Resistance	DC 500V 100M ohm Min.		
Dielectric Strength	AC 1500V 1 minute		
Operation Temperature	-25°C ~ 85°C		
Switch Function	3P SPST ON-OFF (LED dependent)		



Material:  
 Frame: Nylon#66, Black  
 Actuator: PC, Red clear  
 Printed: None

Circuit Diagram



								△	
08/04/14	曹盈芳	依公司規定追加SCI Logo, 本體Rating改為20A 14VDC							△
11/08/10	Zhong	依客戶要求將燈泡更換為 Ø3 LED.							△
Date	Name	Description							No.
Drawn	Checked	Approved	SCI BOM No.	1820872	Model Name	ROCKER SWITCH			
曹盈芳		王作山	Customer No.		Model No.	R13-112B-02	Rev.		
08/04/14		8/4/14	Unit	mm	Shin Chin Industrial Co., Ltd.			2	