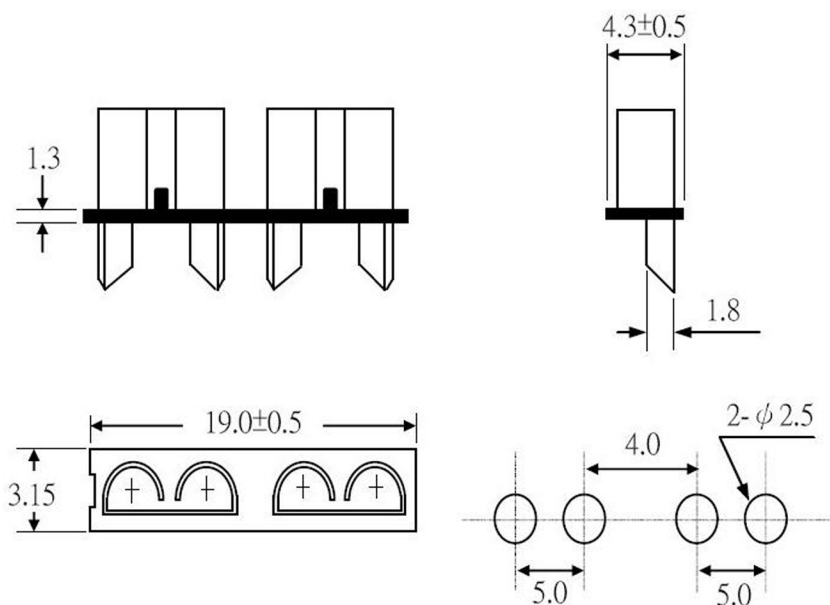


## Specifications

Rating:	15A 250VAC
Fuse Size:	Standard Blade
Housing Material:	Flame Retardant Plastic
Contact Material:	Nickel Plated Brass



Description	Ref Code
PCB Mount Blade Fuse Holder	551672