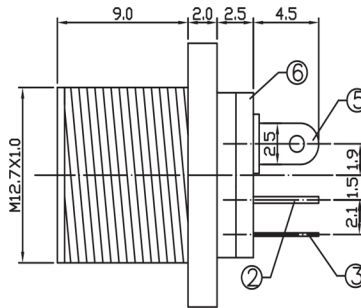
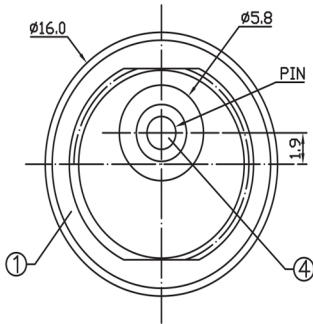
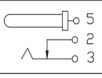


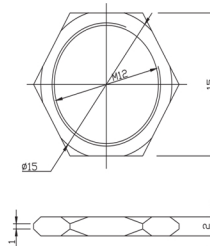
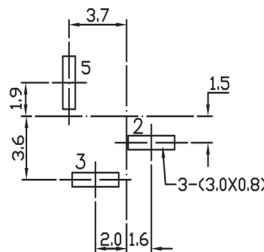
## Specifications

Rating:	1A 30VDC
Contact Resistance:	30mΩ Max
Insulation Resistance:	100MΩ Min 500V DC
Withstand Voltage:	500VAC 1 minute
Housing Material:	PBT
Contact Material:	Nickel Plated Copper
Operating Temperature:	-30°C to +70°C



6	COVER	1	PF	
5	CONTACT FOOT	1	C2680	MB:Cu Cu/Sn PLATED
4	PIN	1	C2680	MB:Cu Ni PLATED
3	SPRING	1	65Mn STEEL	MB:Cu Cu/Sn PLATED
2	FLAT PIECE	1	C2680	MB:Cu Cu/Sn PLATED
1	HOUSING	1	PBT	
LTR	PART NAME	QTY	MATERIAL	REMARK

MODEL NO.	DC-022A
SCHEMATIC	
CENTER PIN	Ø 2.0 mm Ø 2.5 mm



Description	Ref Code
2.5mm x 5.5mm Panel Mount DC Socket	551671