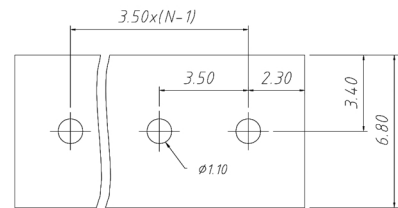
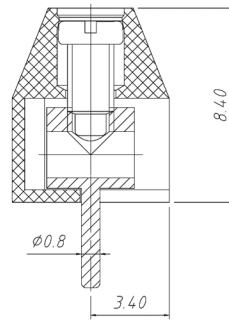
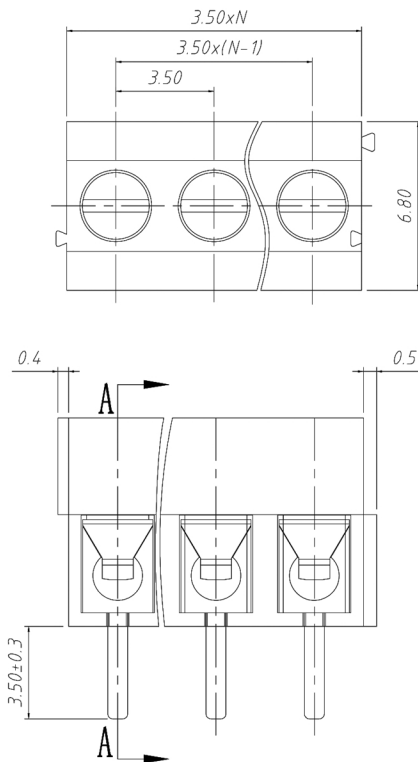


## Specifications

Rating:	10A 125V
Contact Resistance:	20mΩ Max
Insulation Resistance:	500MΩ Min
Dielectric Strength:	2000VAC 1 minute
Housing Material:	PA66 UL94V-0
Contact Material:	Tin Plated Brass
Wire Range:	18-24AWG
Operating Temperature:	-40°C to +105°C



PCB LAYOUT

SECTION A-A

Description	Ref Code
2-Way 3.5mm PCB Terminal Block 10A	550953