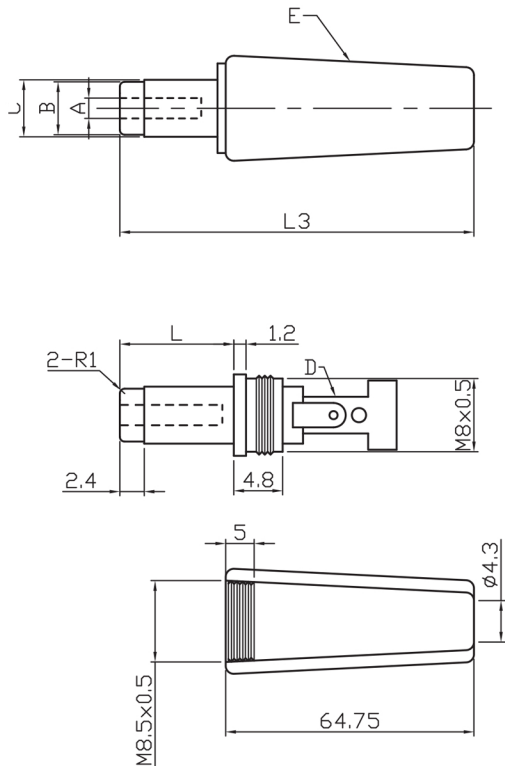


Specifications

Rating:	1A 30VDC
Contact Resistance:	30mΩ Max
Insulation Resistance:	100MΩ Min 500V DC
Withstand Voltage:	500VAC 1 minute
Housing Material:	PBT
Contact Material:	Brass
Operating Temperature:	-30°C to +70°C



Part No.	A(mm)	C(mm)	L(mm)
1.1A	1.1	3.5	9
1.1B	1.1	3.8	9
1.3A	1.3	3.5	9
2.1A	2.1	5.5	9
2.1B	2.1	5.5	14
2.5A	2.5	5.5	9
2.5B	2.5	5.5	14

Description	Ref Code
2.1 x 5.5mm DC Plastic Plug Connector	550919