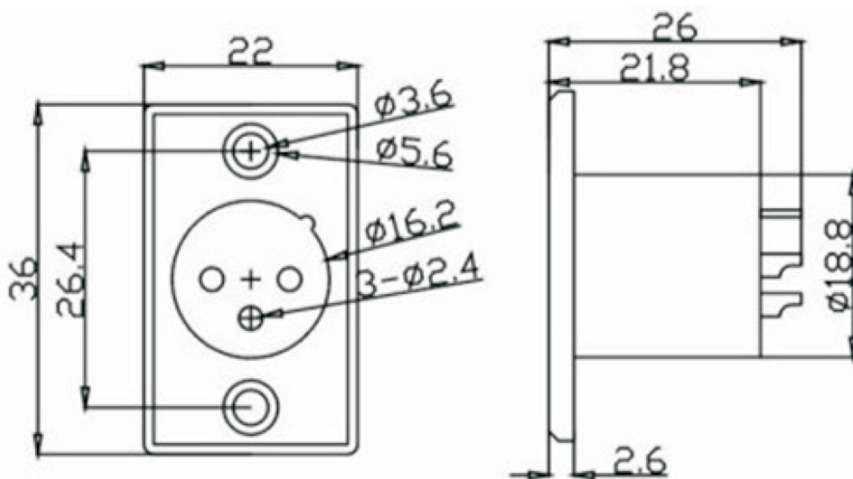


Specifications

Contact Rating:	1A 50VDC
Contact Resistance:	30mΩ Max
Insulation Resistance:	100MΩ Min 500V DC
Withstand Voltage:	500VAC 1 minute
Housing Material:	Nickel Plated Aluminium Alloy
Contact Material:	Silver Plated Copper
Operating Temperature:	-30°C to +80°C



Description	Ref Code
XLR 3 Pole Chassis Plug Connector	550917