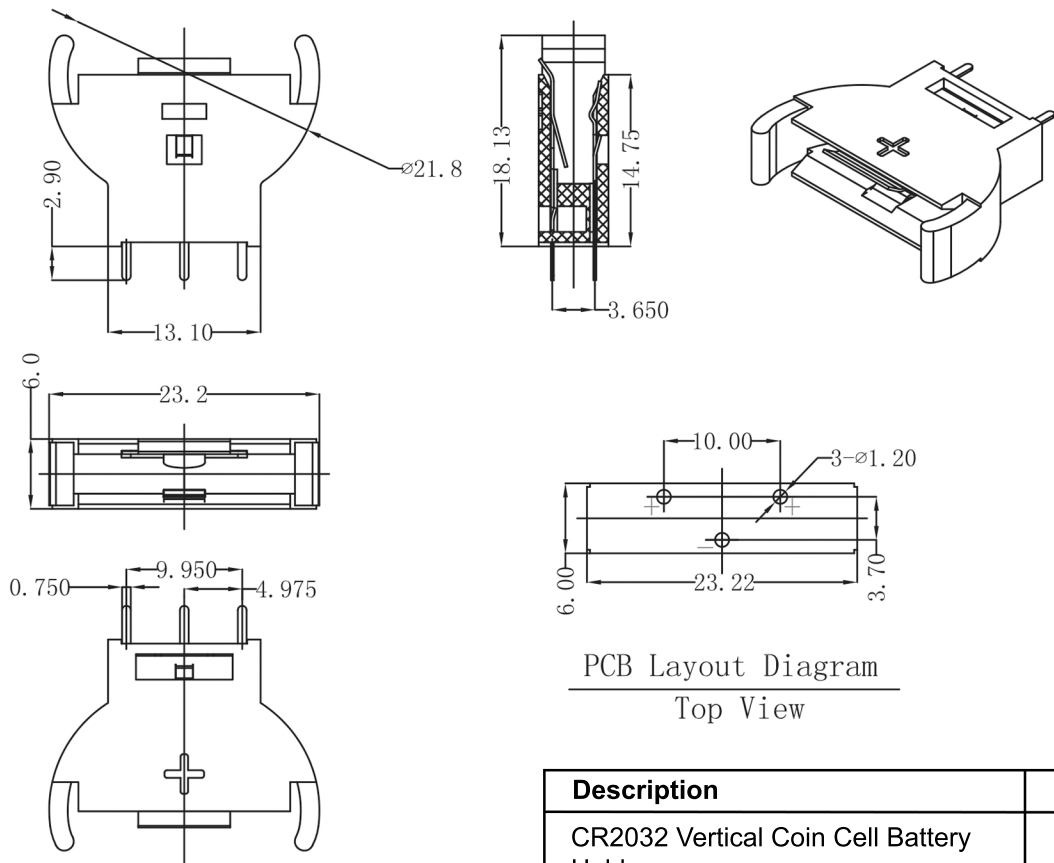


Specifications

Housing Material:	PA66
Contact Material:	Phosphor Bronze
Contact Resistance:	30mΩ Max
Insulation Resistance:	1000MΩ Min 500V DC
Dielectric Strength:	500VAC 1 minute
Operating Temperature:	-25°C to +85°C



Description	Ref Code
CR2032 Vertical Coin Cell Battery Holder	550448