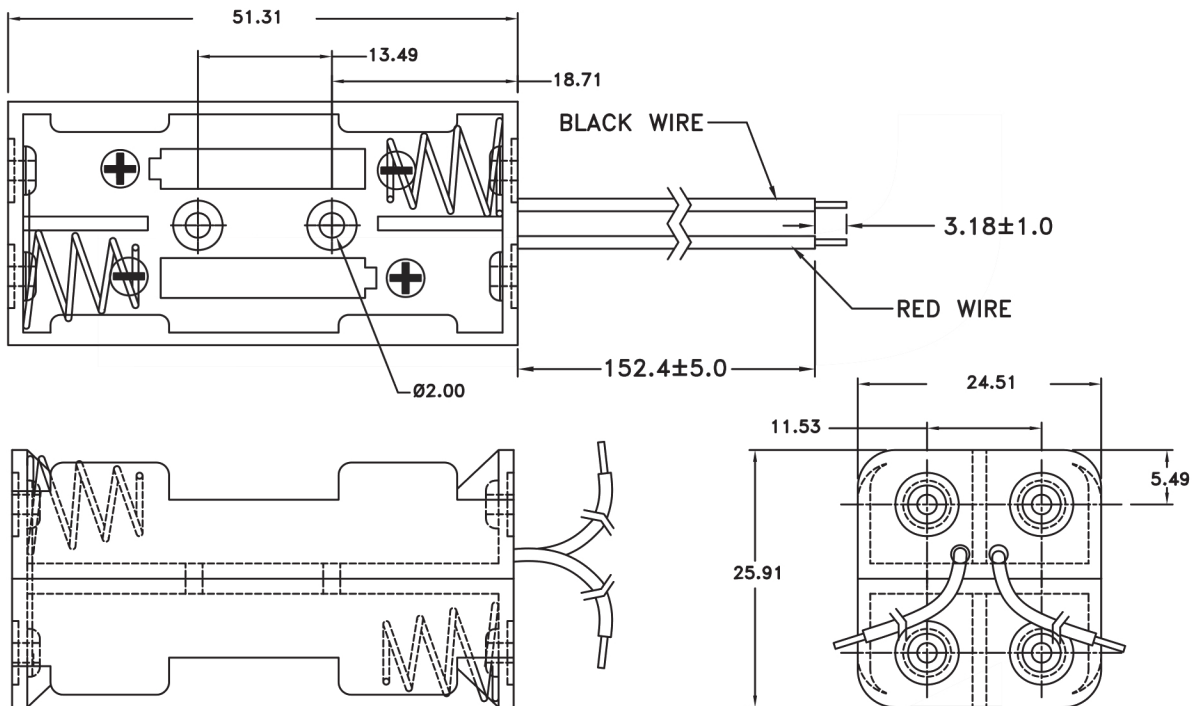


Specifications

Housing Material: ABS
 Wire: UL1007 26AWG
 Spring: 0.6mm 65C Spring Wire



Description	Ref Code
AAA x 4 Battery Holder 2+2 150mm Leads	550439