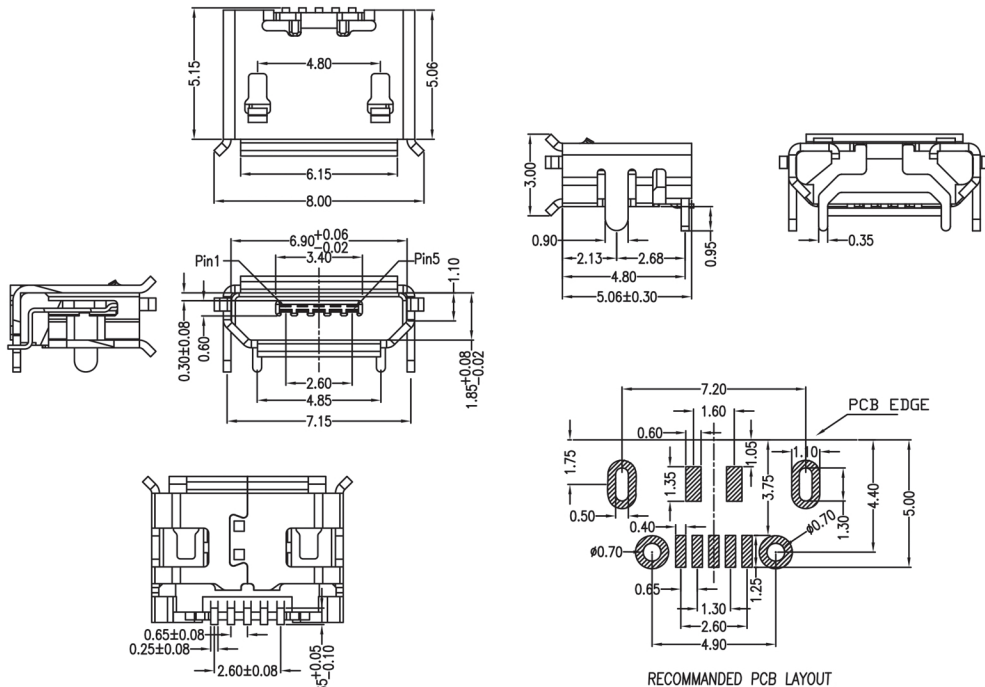


## Specifications

Current Rating:	1A
Housing Material:	Thermoplastic UL94V-0
Contact Material:	Copper Alloy
Shell Material:	Copper Alloy
Contact Resistance:	50mΩ Max
Dielectric Strength:	100VAC 1 Min
Operating Temperature:	-30°C to +80°C



Description	Ref Code
Micro USB Type B Horizontal Connector SMD	550382