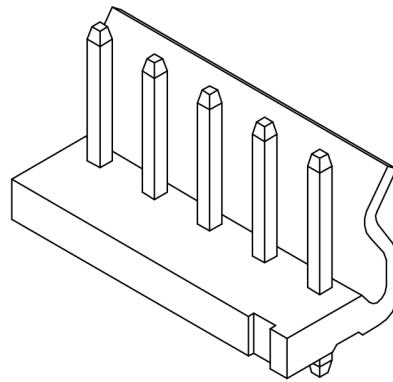
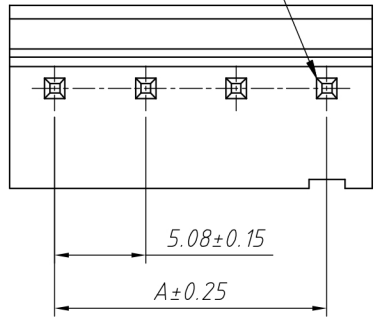


RoHS Compliance

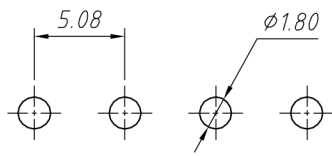
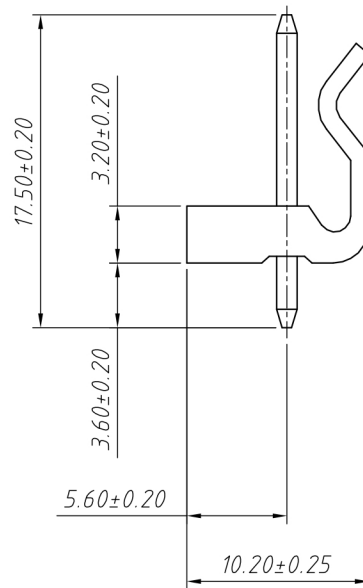
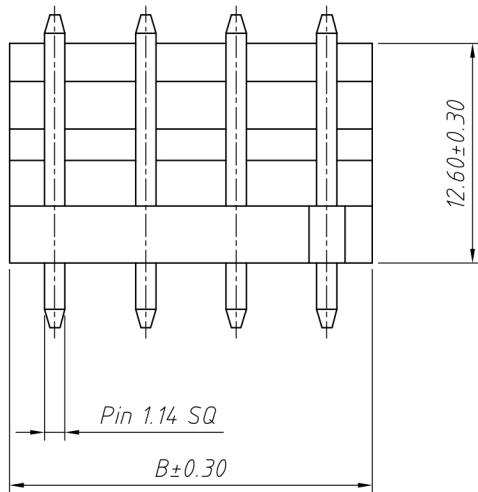
Circuit 1



Pin	Dimensions(mm)	
	A	B
02	5.08	10.16
03	10.16	15.24
04	15.24	20.32
05	20.32	25.40
06	25.40	30.48
07	30.48	35.56
08	35.56	40.64
09	40.64	45.72
10	45.72	50.80
11	50.80	55.88
12	55.88	60.96
13	60.96	66.04
14	66.04	71.12
15	71.12	76.20
16	76.20	81.28
17	81.28	86.36
18	86.36	91.44
19	91.44	96.52
20	96.52	101.60

**Material:**  
 Housing: PA66, UL 94 V-2, Natural  
 Contact: Brass  
 Plating: Tin Plated over 30u" Min. Nickel

**Electrical Characteristics:**  
 Rated Current: 7.0AMP  
 Voltage rating: 250V AC, DC  
 Temperature range: -25°C ~ +85°C  
 Insulator Resistance: 1000MΩ Min  
 Withstand Voltage: 1500V AC/DC  
 Contact Resistance: 10mΩ Max



PCB LAYOUT

ANGLE TOLERANCE	PROJECTION	Description:
±3°		
GENERAL TOLERANCE	UNITS	mm
x.x ±0.30	SHEET SIZE	A4
x.xx ±0.20	Draw:	Daniel 2021-01-11
x.xxx ±0.10	Check:	Daniel 2021-01-11

