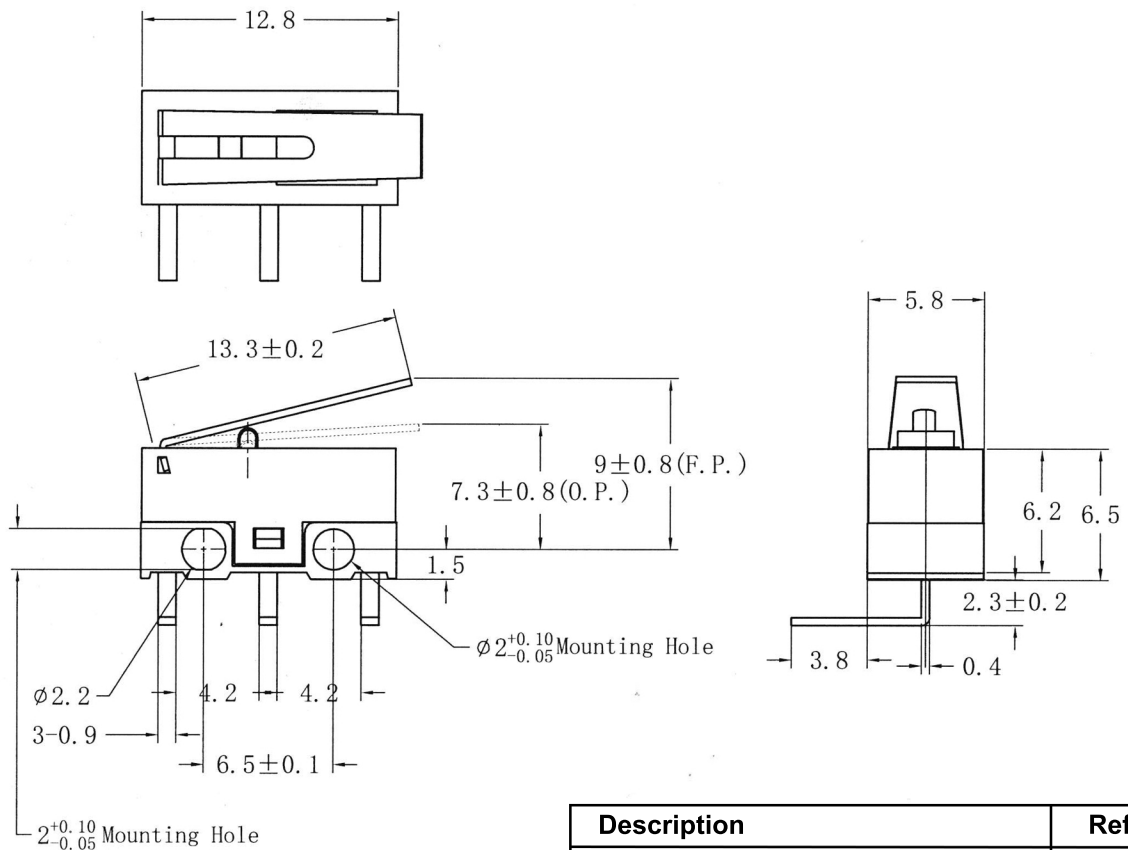


Specifications

Rating:	3A 250VAC
Operating Force:	100gf
Contact Resistance:	50mΩ Max
Insulation Resistance:	100MΩ Min
Electrical Life:	50,000+ Cycles



Description	Ref Code
13mm Lever Subminiature Horizontal PCB Microswitch SPDT 3A	483513