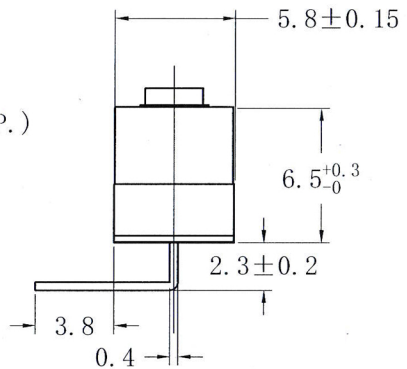
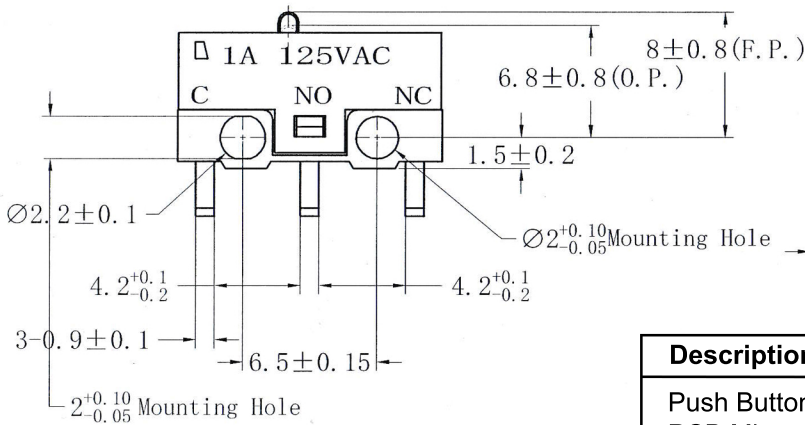
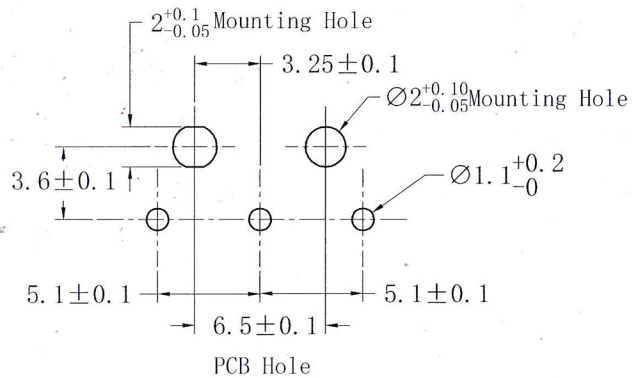
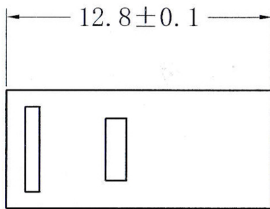


Specifications

| | |
|------------------------|----------------|
| Rating: | 3A 250VAC |
| Operating Force: | 100gf |
| Contact Resistance: | 50mΩ Max |
| Insulation Resistance: | 100MΩ Min |
| Electrical Life: | 50,000+ Cycles |



| Description | Ref Code |
|---|----------|
| Push Button Subminiature Horizontal PCB Microswitch SPDT 3A | 483511 |