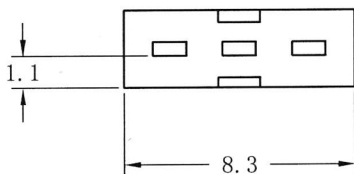
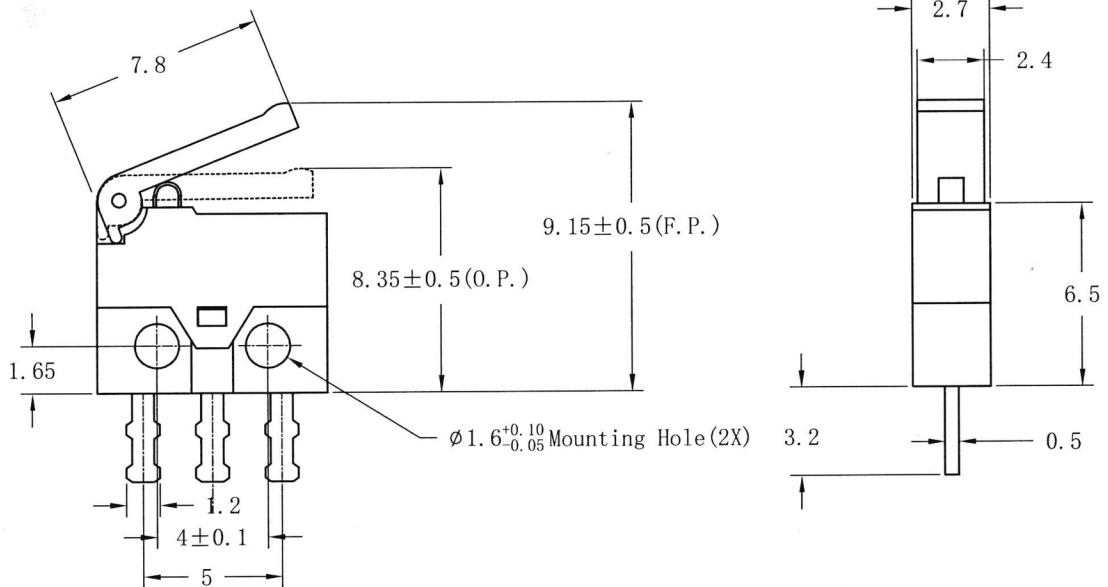


Specifications

| | |
|------------------------|----------------|
| Rating: | 0.3A 6VDC |
| Operating Force: | 100gf |
| Contact Resistance: | 50mΩ Max |
| Insulation Resistance: | 100MΩ Min |
| Electrical Life: | 50,000+ Cycles |
| Operating Temperature: | -25°C to +85°C |



| Description | Ref Code |
|----------------------------------|----------|
| Lever Miniature Microswitch SPDT | 483501 |