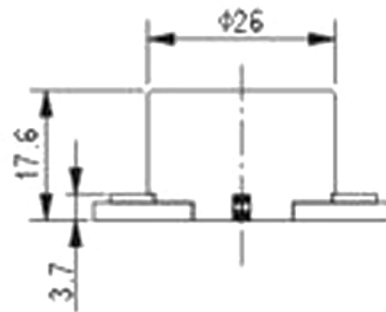
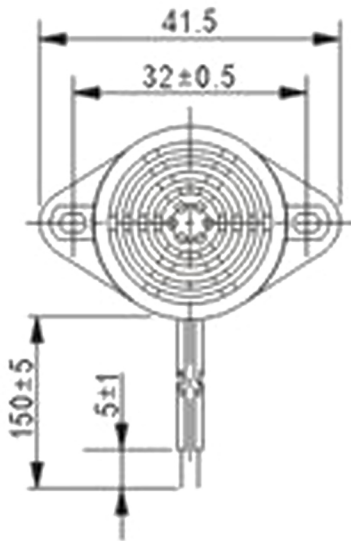


Specifications

Rated Voltage:	6VDC
Operating Voltage:	4-8VDC
Max Rated Current:	40mA
Resonant Frequency:	400Hz
Sound Output:	80dB @ 20cm
Operating Temperature:	-20°C to +60°C



unit:mm

Description	Ref Code
6V Electronic Buzzer with 150mm Leads	483457