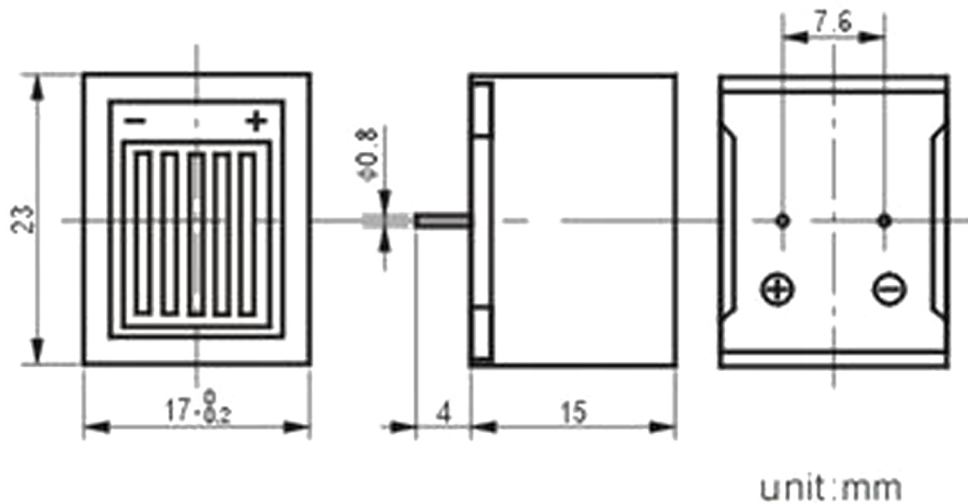


Specifications

Rated Voltage:	1.5VDC
Operating Voltage:	1-2VDC
Max Rated Current:	25mA
Resonant Frequency:	400Hz
Sound Output:	70dB @ 20cm
Operating Temperature:	-20°C to +60°C



Description	Ref Code
1.5V PCB Electronics Buzzer	483455