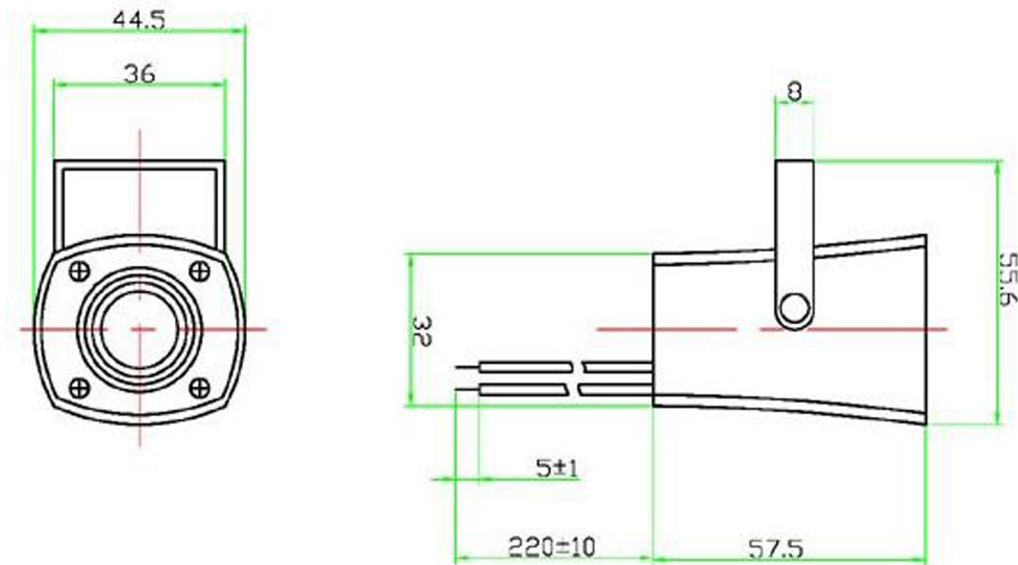


Specifications

Rated Voltage:	12VDC
Operating Voltage:	6-15VDC
Max Rated Current:	250mA @ 12VDC
Resonant Frequency:	1.5-3.5KHz
Sound Output:	105dB @ 100cm
Operating Temperature:	-20°C to +60°C



Description	Ref Code
Piezo Siren 12V	483447