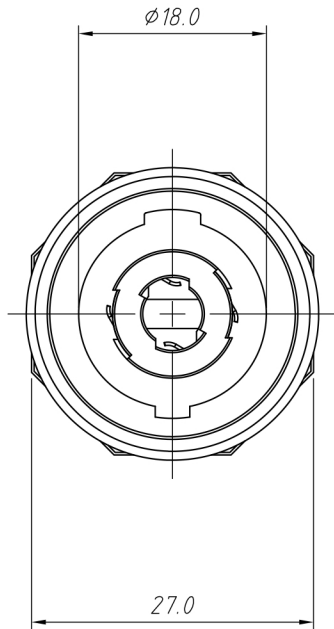
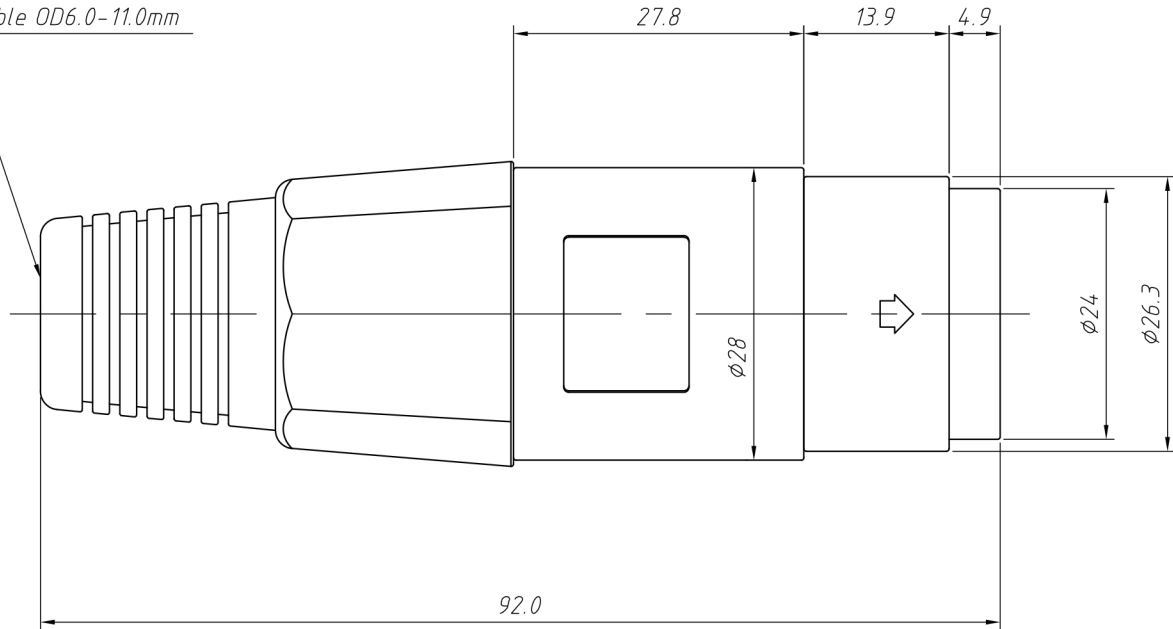


RoHS Compliance



Cable OD 6.0-11.0mm



Electrical:

1. Voltage Rating: 250VAC
2. Current Rating: 15A Max.
3. Contact Resistance: 30m Ω Max.
4. Insulation Resistance: 1000M Ω Min.
5. Withstanding Resistance : 1000VAC Min.

Mechanical:

1. Durability: 1000 cycles Min.
2. Insertion Force: 5~20N
3. /withdrawal Force: 5~20N.

| ANGLE TOLERANCE | PROJECTION | Description: |
|-------------------|------------|-------------------|
| $\pm 3^\circ$ | | |
| GENERAL TOLERANCE | UNITS | mm |
| x.x ± 0.30 | SHEET SIZE | A4 |
| x.xx ± 0.20 | Draw: | Daniel 2021-08-28 |
| x.xxx ± 0.10 | Check: | Daniel 2021-08-28 |

