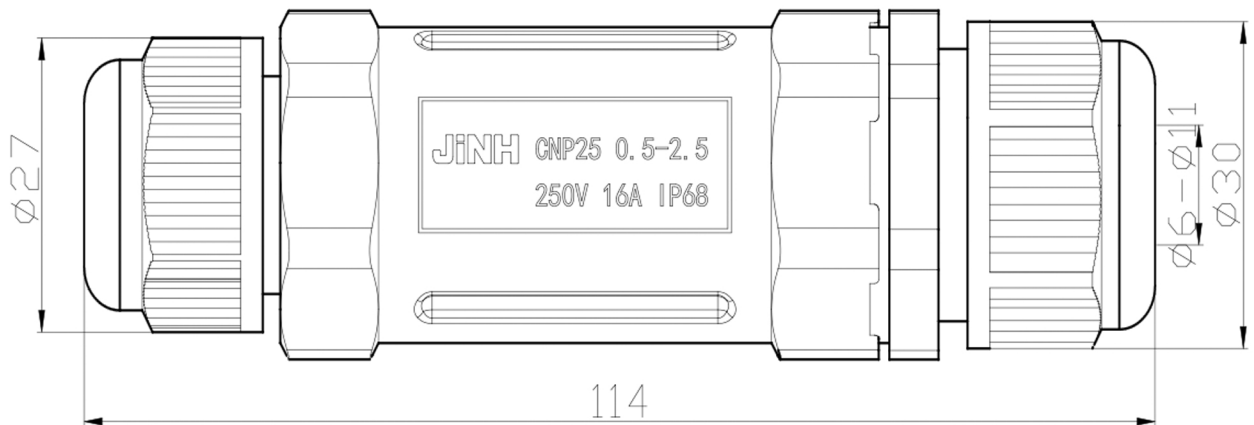


## Specifications

Voltage Rating:	250VAC
Current Rating:	16A
Wire Range:	0.5-2.5mm <sup>2</sup>
Wire Entry Diameter:	6-11mm
Housing Material:	PA
Protection Level:	IP68
Operating Temperature:	-40°C to +70°C



Description	Ref Code
5 Pole Waterproof IP68 Circular Connector 16A 250V	483262