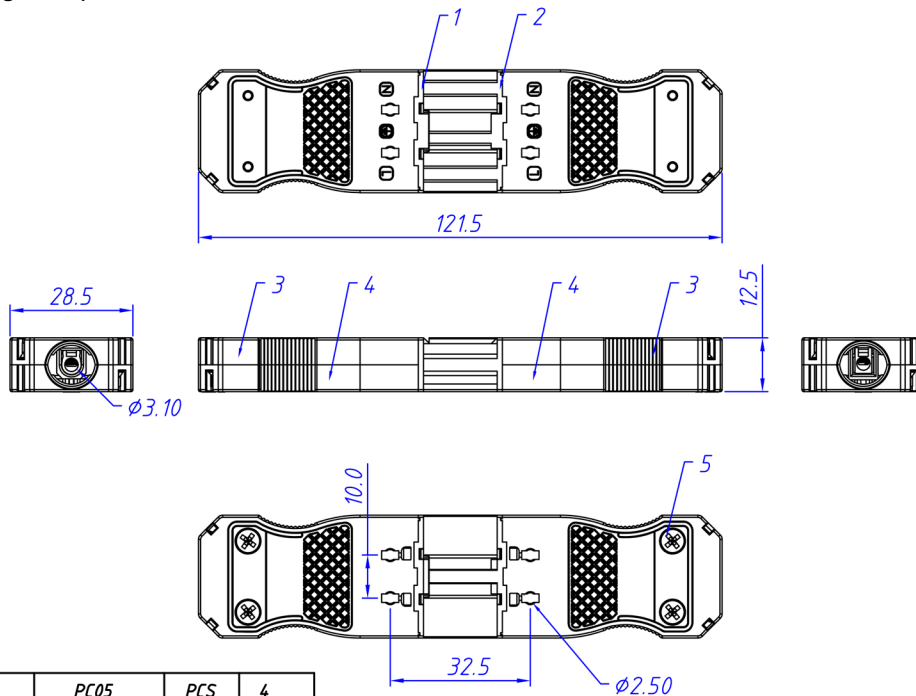


Specifications

Current Rating:	16A
Voltage Rating:	250V
Wire Conductor Size:	0.75-2.5mm ² / 14-18AWG
Strip length:	7mm
Insulation Material:	Polamide 66, UL94V-2
Contact Material:	Nickel Plated Brass
Protection Level:	IP30
Operating Temperature:	90°C



ITEM	PART NAME	Parts CODE	UNIT	Q'TY
5	M3 Screw	PC05	PCS	4
4	Top cover	PC04	PCS	2
3	Bottom cover	PC03	PCS	2
2	Female plug Terminal	PC02	PCS	1
1	Male plug Terminal	PC01	PCS	1

Description	Ref Code
3 Pole Male and Female Locking Lighting Connector 16A	483100