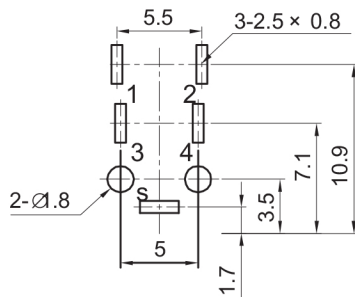
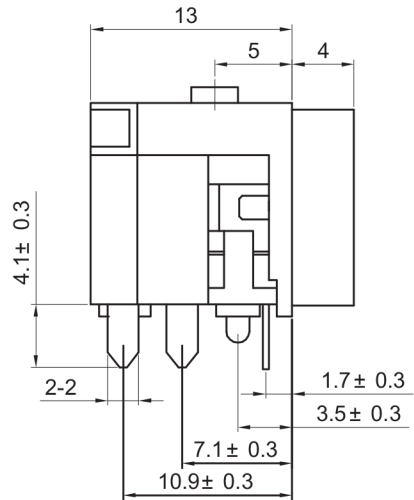
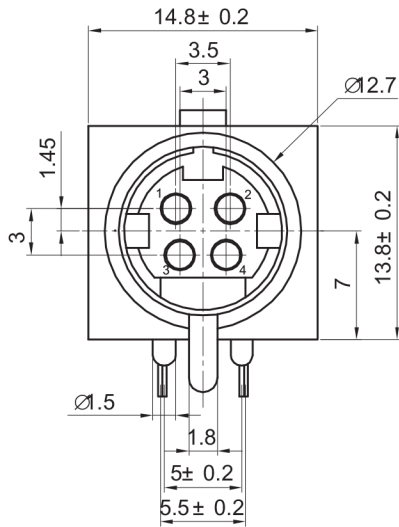


Specifications

Pins:	3
Contact Rating:	7.5A 20VDC
Contact Resistance:	30mΩ Max
Insulation Resistance:	100MΩ Min
Withstand Voltage:	500VAC 1 minute
Operating Temperature:	-25°C to +70°C



Description	Ref Code
4 Pin DIN PCB Power Socket	483044