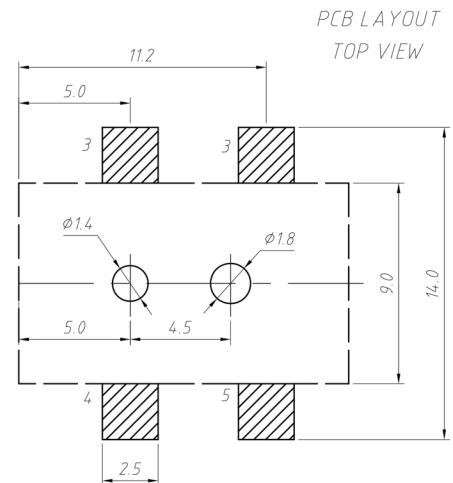
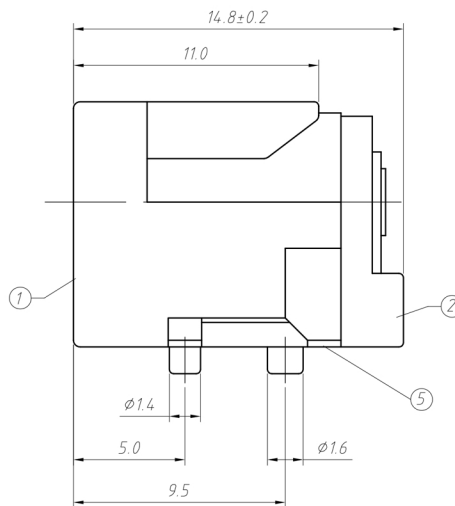
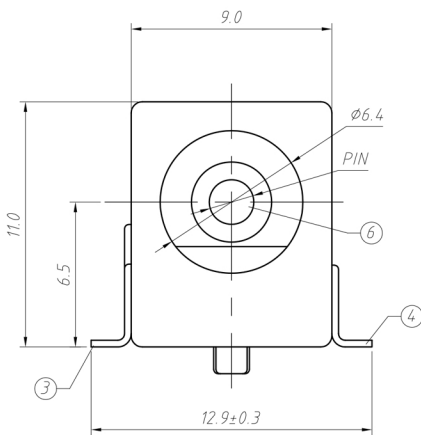


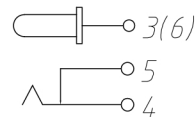
## Specifications

Size:	2.1mm x 5.5mm
Contact Rating:	0.5A 30VDC
Contact Resistance:	30mΩ Max
Insulation Resistance:	100MΩ Min
Withstand Voltage:	500VAC 1 minute
Operating Temperature:	-30°C to +70°C



NO.	Description	QTY	Material	Plating
1	Housing	1	PA9T	---
2	Cover	1	PA9T	---
3	Curve Piece	1	H62 Brass	Ag-Plating
4	Spring	1	Bronze	Ag-Plating
5	Curve Piece	1	H62 Brass	Ag-Plating
6	PIN	1	H59 Brass	Ni-Plating

### SCHEMATIC



Description	Ref Code
2.1mm x 5.5mm SMT DC Power Square Socket	483041