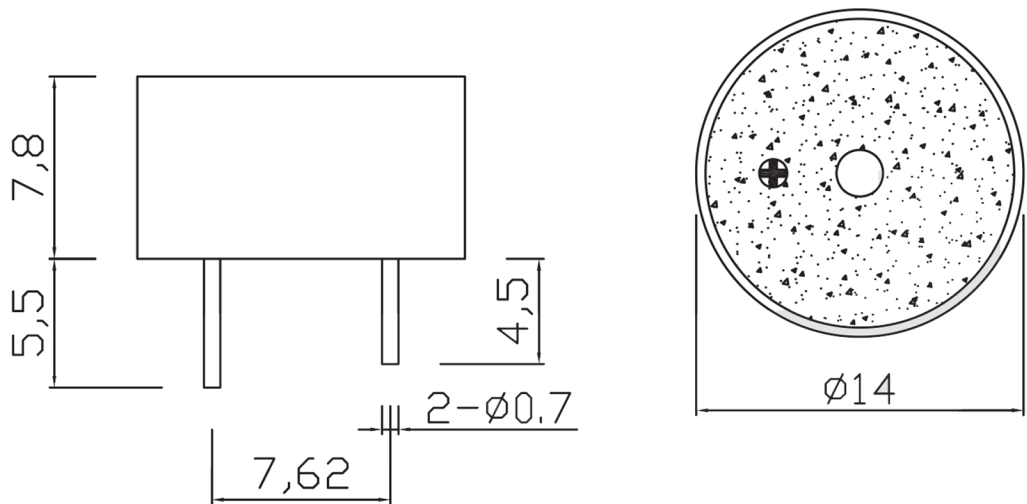


Specifications

Rated Voltage:	5VDC
Operating Voltage:	3-9VDC
Max Rated Current:	8mA
Resonant Frequency:	4.0KHz
Sound Output:	80dB @ 10cm
Operating Temperature:	-20°C to +80°C



Description	Ref Code
5V Piezo PCB Mount Buzzer 18x7.8mm	483038