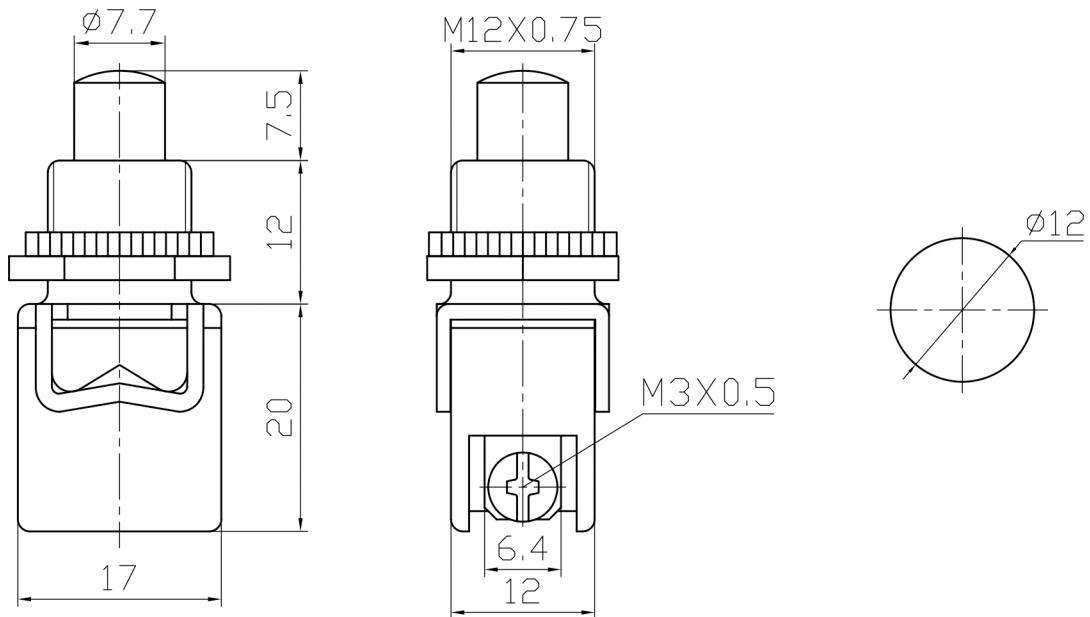


Specifications

| | |
|------------------------|----------------------|
| Rating: | 8A 125VAC, 4A 250VAC |
| Contact Resistance: | 20mΩ Max |
| Insulation Resistance: | 100MΩ Min |
| Dielectric Strength: | 1000VAC 1 minute |
| Operating Temperature: | -25°C to +85°C |
| Electrical Life: | 50,000+ Cycles |



| Description | Ref Code |
|--|----------|
| Red On-(Off) Momentary 12mm Push Button Switch SPST 4A | 482784 |