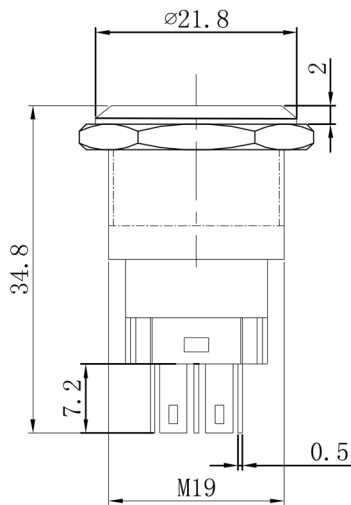
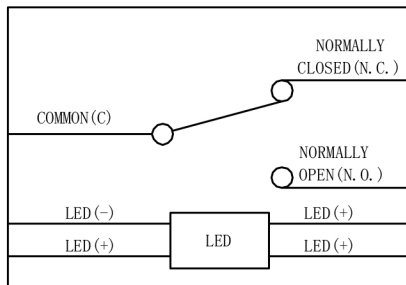
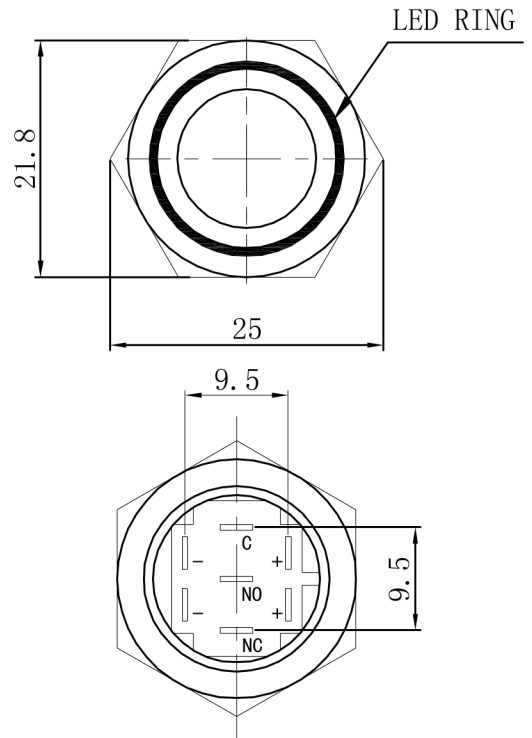
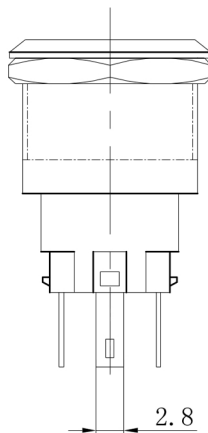


Specifications

Rating:	5A 250VAC
LED illumination Voltage:	12VDC
Protection Level:	IP67
Housing Material:	Zinc Alloy
Contact Resistance:	30mΩ Max
Insulation Resistance:	100MΩ Min
Dielectric Strength:	2000VAC 1 minute
Operating Temperature:	-25°C to +55°C



SCHMATIC



Description	Ref Code
RGB 19mm Black Vandal Momentary Metal Push Button Switch 12V	482543